

Price list 2022



Spare parts for manual and actuated valves

+6% starting from 23/01/2023



SPARE PARTS FOR MANUAL AND ACTUATED VALVES

Since 1954 FIP produces injection moulded valves and fittings in thermoplastic materials for pressure pipeline systems thus becoming nowadays the largest European valves manufacturer.

FIP is a company of the Aliaxis Group: a worldwide industrial holding, gathering together a series of companies manufacturing and marketing plastic plumbing products for building, industrial and public utilities applications.

FIP branded products are manufactured on production sites operating to the Quality Assurance System in compliance with ISO 9001 and with the Environmental Management System ISO 14001 standards requirements.

Moulded in FIP products there are over 60 years of know-how powered by a strong quest for innovation.

Contacts

Reception	+39 010 9621.1
Information	info.fip@alixaxis.com
Technical support	technical.fip@alixaxis.com

Company Certificates

	Cert. N° 1 in compliance with the Standard UNI EN ISO 9001	
	Cert. N° 70 in compliance with the Standard UNI EN ISO 14001	

R00-04-2022

Contents

General info

How to read FIP Valves Commercial Codes	page 4
---	--------

- Spare Parts for Manual Valves

Spare parts for DUAL BLOCK® 2-way ball valve VKD DN 10÷50	page 6
Spare parts for DUAL BLOCK® 2-way ball valve VKD DN 65÷100	page 8
Spare parts for DUAL BLOCK® 2-way regulating ball valve VKR DN 10÷50	page 10
Spare parts for DUAL BLOCK® 3-way ball valve TKD DN 10÷50	page 12
Spare parts for Easyfit 2-way ball valve VXE DN 10÷50	page 15
Spare parts for Easyfit 2-way ball valve VXE DN 65÷100	page 17
Spare parts for Easyfit 2-way ball valve VEE DN 10÷50	page 19
Spare parts for Easyfit 2-way ball valve VEE DN 65÷100	page 21
Spare parts for Easyfit ball check valve SXE DN 10÷50	page 23
Spare parts for Easyfit ball check valve SXE DN 65÷100	page 25
Spare parts for Easyfit spring check valve SSE DN 10÷50	page 27
Spare parts for Easyfit spring check valve SSE DN 65÷100	page 29
Spare parts for ball check valve SR DN 15÷50	page 31
Spare parts for butterfly valve FE DN 40÷50	page 33
Spare parts for butterfly valve FE DN 65÷200	page 35
Spare parts for butterfly valve FK DN 40÷50	page 37
Spare parts for butterfly valve FK DN 65÷200	page 39
Spare parts for butterfly valve FK DN 250÷300	page 42
Spare parts for butterfly valve FK DN 350÷400	page 44
Spare parts for DIALOCK® diaphragm valve DK DN 15÷65	page 45
Spare parts for diaphragm valve VM DN 80÷100	page 49
Spare parts for compact diaphragm valve CM DN 12÷15	page 51
Spare parts for mini-diaphragm valve and diaphragm cock valve VM/RM DN 8÷15	page 54
Spare parts for sediment strainer RV DN 10÷50	page 55
Spare parts for sediment strainer RV DN 65÷100	page 58
Spare parts for angle seat valve VV DN 10÷50	page 60
Spare parts for check valve VR DN 15÷50	page 62
Spare parts for check valve VR DN 65÷100	page 65
Spare parts for air release valve VA DN 15÷50	page 67
Spare parts for foot valve VZ DN 10÷50	page 68

SPARE PARTS FOR MANUAL AND ACTUATED VALVES

Spare Parts for angle seat valves SV DN 15÷25	page 71
- Spare Parts for Actuated Valves	
Spare parts for solenoid valves S1 and S2 series DN 4÷15	page 73
Spare Parts for ball valves DUAL BLOCK® series VKD/CP and VKD/CE DN 10÷50	page 75
Spare Parts for actuated 2-way ball valves DUAL BLOCK® series VKD/CP and VKD/CE DN 65÷100	page 78
Spare Parts for electrically actuated regulating ball valves DUAL BLOCK® VKR/CE DN 10÷50	page 80
Spare Parts for actuated 3-way ball valves DUAL BLOCK® TKD/CP and TKD/CE DN 10÷50	page 82
Spare Parts for actuated ball valves Easyfit VXE/CP and VXE/CE DN 65÷100	page 85
Spare Parts for actuated butterfly valves FE/CP and FE/CE DN 40÷50	page 87
Spare Parts for actuated butterfly valves FE/CP and FE/CE DN 65÷200	page 89
Spare Parts for actuated butterfly valves FK/CP and FK/CE DN 40÷50	page 91
Spare Parts for actuated butterfly valves FK/CP and FK/CE DN 65÷200	page 93
Spare Parts for actuated butterfly valves FK/CP and FK/CE DN 250÷300	page 96
Spare Parts for actuated butterfly valves FK/CP and FK/CE DN 350÷400	page 98
Spare Parts for pneumatically actuated diaphragm valves DK/CP DN 15÷32	page 100
Spare Parts for pneumatically actuated diaphragm valves VM/CP DN 80÷100	page 103
Spare Parts for pneumatically actuated diaphragm valves DKB/CP DN 15÷65	page 105
Spare Parts for pneumatically actuated diaphragm valves DKD/CP DN 15÷65	page 108
Spare Parts for pneumatically actuated diaphragm valves CM/CP DN 12÷15	page 110
Spare Parts for LSQT micro box	page 113
Key abbreviations	page 115
Packaging information	page 116
Conditions of supply	page 117

Codes

How To Read Fip Valves Commercial Codes

Ex: FKOCR315F FK butterfly valve ISO-DIN flanged, PVC-C disc, gear box, d 315, FKM gasket

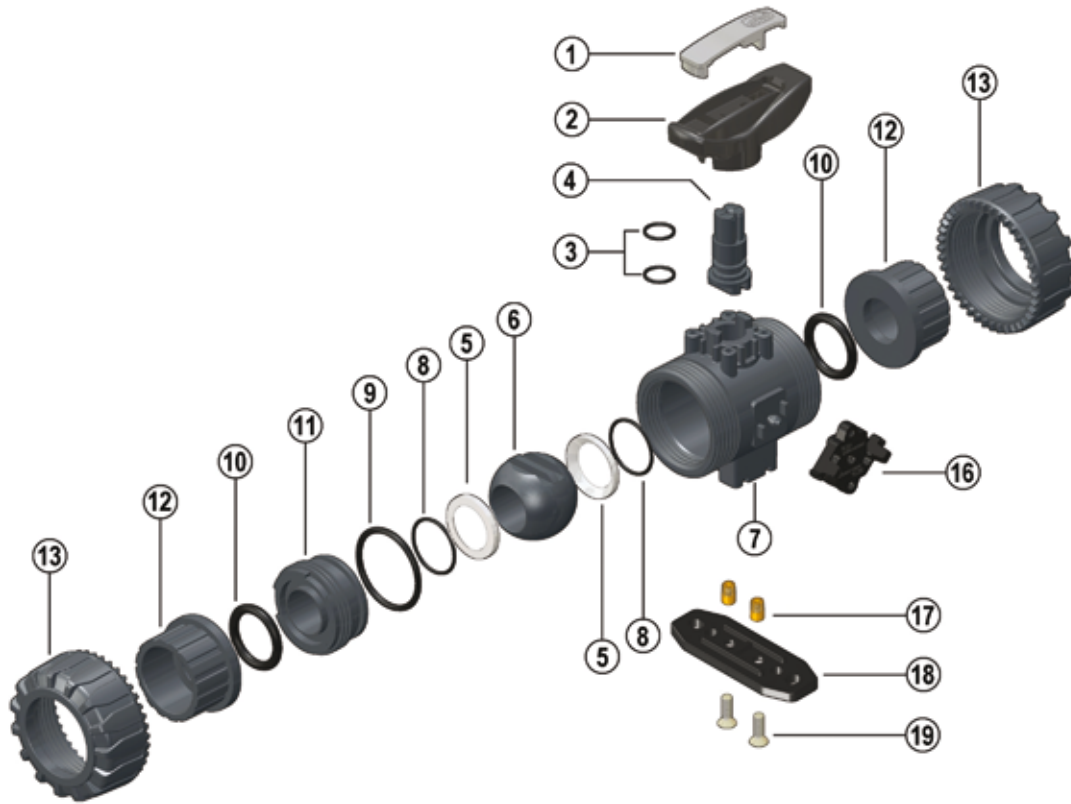
FK VALVE MODEL		O CONNECTION STD.	C MATERIALS		
VKD	ball 2-way DUAL BLOCK®	I	ISO socket (metric)	A	ABS
TKD	ball 3-way DUAL BLOCK® T	D	ISO spigot (metric)	C	PVC-C
LKD	portball 3-way DUAL BLOCK® L	B	ISO butt welding (metric)	F	PVDF
VKR	regulating ball 2-way DUAL BLOCK®	BE	PE100 ISO butt welding (metric)	M	PP-H
VXE	ball 2-way Easyfit	G	JIS socket threaded (inch)	V	PVC-U
VEE	ball 2-way Easyfit	P	Hose adaptor (metric)	T	PVC-U Transparent
SXE	ball spring check valve Easyfit	F	BSP female threaded (inch)		
FK	butterfly multi-purpose	R	BSP male threaded (inch)		
FE	butterfly water	L	BS female (inch)		
VM	diaphragm	M	BS male (inch)		
VMU	unionised diaphragm	A	ASTM socket (inch)		
CM	compact diaphragm	Y	ASTM spigot (inch)		
CMU	unionised compact diaphragm	N	NPT socket threaded (inch)		
DK	diaphragm DIALOCK	J	JIS socket (inch)		
DKD	direct acting diaphragm (only pneumatically actuated)	O	ISO-DIN flanged (metric)		
DKDU	unionised direct acting diaphragm (only pneumatically actuated)	OA	ANSI 150 flanged (inch)		
DKB	diaphragm act.diaphragm (only pneumatically actuated)	OL	LUG ISO-DIN (mm) flanged		
RM	diaphragm cock	OAL	LUG ANSI 150 (inch) flanged		
RP	piston cock				
RV	strainer				
RVU	unionised strainer				
VR	piston check valve				
VRU	unionised piston check valve				
VV	angle seat valve				
VVU	unionised angle seat valve				
SR	ball check valve				
VZ	foot valve				
VA	air release valve				
SV	pressure relief valve				
CR	wafer check valve				

RM COMMAND SYSTEM		315 SIZE		F SEAL MATERIAL			
		METRIC SERIES d (mm)				INCH SERIES d/R (inches)	
SHX	handle block (for VKD ball valves)	006	6			E	EPDM
LM	lever (for butterfly)	008	8			F	FKM
RM	gear box (for butterfly)	010	10			N	NBR
FM	bare shaft (for butterfly)	012	12	014	1/4"	P	PTFE
NC	Pneumatic Normally Closed	016	16	038	3/8"		
NO	Pneumatic Normally Open	020	20	012	1/2"		
DA	Pneumatic Double Acting	025	25	034	3/4"		
SA	Pneumatic Single Acting	032	32	100	1"		
EA	Electric 230V AC	040	40	114	1" 1/4		
EB	Electric 115V AC	050	50	112	1" 1/2		
EE	Electric 24V AC	063	63	200	2"		
EF	Electric 24V DC			214	2" 1/4		
EI	Electric 400V three phase	075	75	212	2" 1/2		
EM	Electric 90-240V AC			234	2" 3/4		
EL	Electric 24V AC/DC	090	90	300	3"		
		110	110	400	4"		
		125	125				
		140	140	500	5"		
		160	160	600	6"		
		180	180				
		200	200				
		225	225	800	8"		
		250	250				
		280	280	810	10"		
		315	315	812	12"		
		355	355	814	14"		
		400	400	816	16"		

VKD DN 10÷50

SPARE PARTS FOR MANUAL VALVES

SPARE PARTS FOR DUAL BLOCK® 2-WAY BALL VALVE



Sealing set

Sealing set

DN	Position	to be used with:	EPDM code	FKM code
10÷15	3-5-8-9-10	VKD-VKR	SETVKD020E	SETVKD020F
20	3-5-8-9-10	VKD-VKR	SETVKD025E	SETVKD025F
25	3-5-8-9-10	VKD-VKR	SETVKD032E	SETVKD032F
32	3-5-8-9-10	VKD-VKR	SETVKD040E	SETVKD040F
40	3-5-8-9-10	VKD-VKR	SETVKD050E	SETVKD050F
50	3-5-8-9-10	VKD-VKR	SETVKD063E	SETVKD063F

Handle set

Handle set

DN	Position	to be used with:	Code
10÷15	1-2	VKD-VKR	HSVKD020
20	1-2	VKD-VKR	HSVKD025
25	1-2	VKD-VKR	HSVKD032
32	1-2	VKD-VKR	HSVKD040
40	1-2	VKD-VKR	HSVKD050
50	1-2	VKD-VKR	HSVKD063

VKD DN 10÷50

SPARE PARTS FOR MANUAL VALVES

SPARE PARTS FOR DUAL BLOCK® 2-WAY BALL VALVE

Stem

Stem

DN	Position	to be used with:	PVC-U code	PVC-C code	PP-H code	PVDF code
10÷15	4	VKD-VKR-TKD	STVKD020V	STVKD020C	STVKD020M	STVKD020F
20	4	VKD-VKR-TKD	STVKD025V	STVKD025C	STVKD025M	STVKD025F
25	4	VKD-VKR-TKD	STVKD032V	STVKD032C	STVKD032M	STVKD032F
32	4	VKD-VKR-TKD	STVKD040V	STVKD040C	STVKD040M	STVKD040F
40	4	VKD-VKR-TKD	STVKD050V	STVKD050C	STVKD050M	STVKD050F
50	4	VKD-VKR-TKD	STVKD063V	STVKD063C	STVKD063M	STVKD063F

Ball

Ball

DN	Position	to be used with:	PVC-U code	PVC-C code	PP-H code	PVDF code
10÷15	6	VKD	BLVKD020V	BLVKD020C	BLVKD020M	BLVKD020F
20	6	VKD	BLVKD025V	BLVKD025C	BLVKD025M	BLVKD025F
25	6	VKD	BLVKD032V	BLVKD032C	BLVKD032M	BLVKD032F
32	6	VKD	BLVKD040V	BLVKD040C	BLVKD040M	BLVKD040F
40	6	VKD	BLVKD050V	BLVKD050C	BLVKD050M	BLVKD050F
50	6	VKD	BLVKD063V	BLVKD063C	BLVKD063M	BLVKD063F

Carrier

Ball seat carrier

DN	Position	to be used with:	PVC-U code	PVC-C code	PP-H code	PVDF code
10÷15	11	VKD-VKR	SEVKD020V	SEVKD020C	SEVKD020M	SEVKD020F
20	11	VKD-VKR	SEVKD025V	SEVKD025C	SEVKD025M	SEVKD025F
25	11	VKD-VKR	SEVKD032V	SEVKD032C	SEVKD032M	SEVKD032F
32	11	VKD-VKR	SEVKD040V	SEVKD040C	SEVKD040M	SEVKD040F
40	11	VKD-VKR	SEVKD050V	SEVKD050C	SEVKD050M	SEVKD050F
50	11	VKD-VKR	SEVKD063V	SEVKD063C	SEVKD063M	SEVKD063F

Union nut

Union nut

DN	Position	to be used with:	PVC-U code	PVC-C code	PP-H code	PVDF code
10÷15	13	VKD-VKR-TKD-SR-VV-VR-VA-VZ	NTVKD020V	NTVKD020C	NTVKD020M	NTVKD020F
20	13	VKD-VKR-TKD-SR-VV-VR-VA-VZ	NTVKD025V	NTVKD025C	NTVKD025M	NTVKD025F
25	13	VKD-VKR-TKD-SR-VV-VR-VA-VZ	NTVKD032V	NTVKD032C	NTVKD032M	NTVKD032F
32	13	VKD-VKR-TKD-SR-VV-VR-VA-VZ	NTVKD040V	NTVKD040C	NTVKD040M	NTVKD040F
40	13	VKD-VKR-TKD-SR-VV-VR-VA-VZ	NTVKD050V	NTVKD050C	NTVKD050M	NTVKD050F
50	13	VKD-VKR-TKD-SR-VV-VR-VA-VZ	NTVKD063V	NTVKD063C	NTVKD063M	NTVKD063F

DUAL BLOCK® Kit

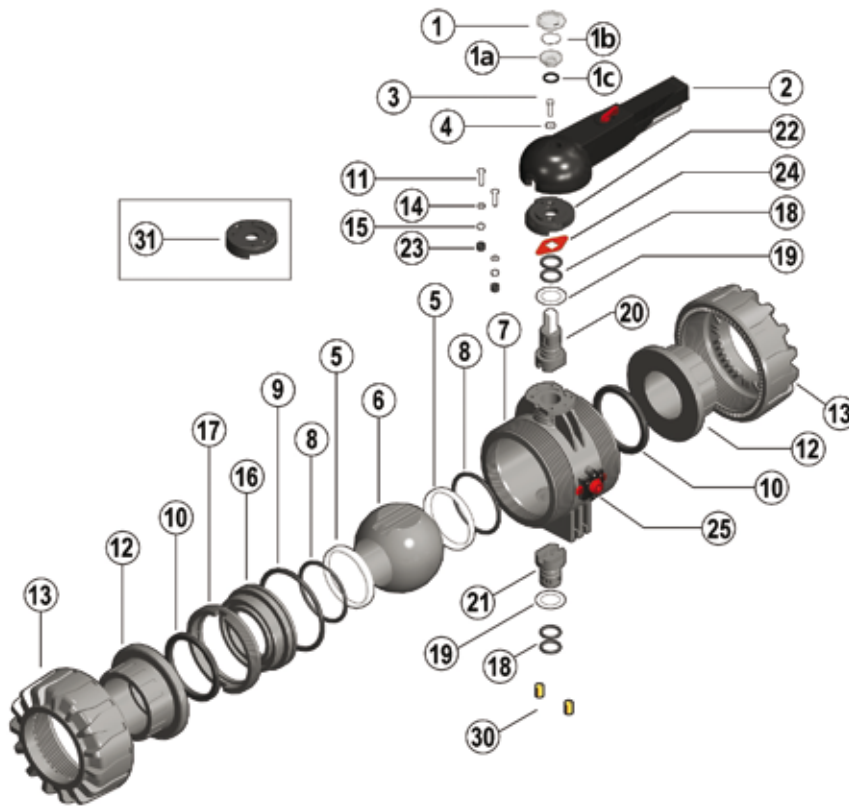
DUAL BLOCK® Kit

DN	Position	to be used with:	Code
10÷15	16	VKD-VKR	DBVKD020025
20	16	VKD-VKR	DBVKD020025
25	16	VKD-VKR	DBVKD032
32	16	VKD-VKR	DBVKD040050
40	16	VKD-VKR	DBVKD040050
50	16	VKD-VKR	DBVKD063

VKD DN 65÷100

SPARE PARTS FOR MANUAL VALVES

SPARE PARTS FOR DUAL BLOCK® 2-WAY BALL VALVE



Sealing set

Sealing set

DN	Position	EPDM code	FKM code
65	5-8-9-10-18-19	SETVKD075E	SETVKD075F
80	5-8-9-10-18-19	SETVKD090E	SETVKD090F
100	5-8-9-10-18-19	SETVKD110E	SETVKD110F

Handle set

Handle set

DN	Position	Code
65	1-2-3-4	HSFKD0S14
80	1-2-3-4	HSFKD0M14
100	1-2-3-4	HSFKD0L17

Upper stem

Upper stem

DN	Position	PVC-U code	PVC-C code	PP-H code	PVDF code
65	20	STVKD075V	STVKD075C	STVKD075M	STVKD075F
80	20	STVKD090V	STVKD090C	STVKD090M	STVKD090F
100	20	STVKD110V	STVKD110C	STVKD110M	STVKD110F

VKD DN 65÷100

SPARE PARTS FOR MANUAL VALVES

SPARE PARTS FOR DUAL BLOCK® 2-WAY BALL VALVE

Lower stem

Lower stem

DN	Position	PVC-U code	PVC-C code	PP-H code	PVDF code
65	21	LSVKD075V	LSVKD075C	LSVKD075M	LSVKD075F
80	21	LSVKD090V	LSVKD090C	LSVKD090M	LSVKD090F
100	21	LSVKD110V	LSVKD110C	LSVKD110M	LSVKD110F

Ball

Ball

DN	Position	PVC-U code	PVC-C code	PP-H code	PVDF code
65	6	BLVKD075V	BLVKD075C	BLVKD075M	BLVKD075F
80	6	BLVKD090V	BLVKD090C	BLVKD090M	BLVKD090F
100	6	BLVKD110V	BLVKD110C	BLVKD110M	BLVKD110F

Carrier

Ball seat carrier

DN	Position	PVC-U code	PVC-C code	PP-H code	PVDF code
65	16-17	SEVKD075V	SEVKD075C	SEVKD075M	SEVKD075F
80	16-17	SEVKD090V	SEVKD090C	SEVKD090M	SEVKD090F
100	16-17	SEVKD110V	SEVKD110C	SEVKD110M	SEVKD110F

Union nut

Union nut

DN	Position	PVC-U code	PVC-C code	PP-H code	PVDF code
65	13	NTVKD075V	NTVKD075C	NTVKD075M	NTVKD075F
80	13	NTVKD090V	NTVKD090C	NTVKD090M	NTVKD090F
100	13	NTVKD110V	NTVKD110C	NTVKD110M	NTVKD110F

DUAL BLOCK® kit

DUAL BLOCK® kit

DN	Position	Code
65	24-25-26-27-28-29	DBVKD075110
80	24-25-26-27-28-29	DBVKD075110
100	24-25-26-27-28-29	DBVKD075110

Upper flange with fasteners nuts and protection caps

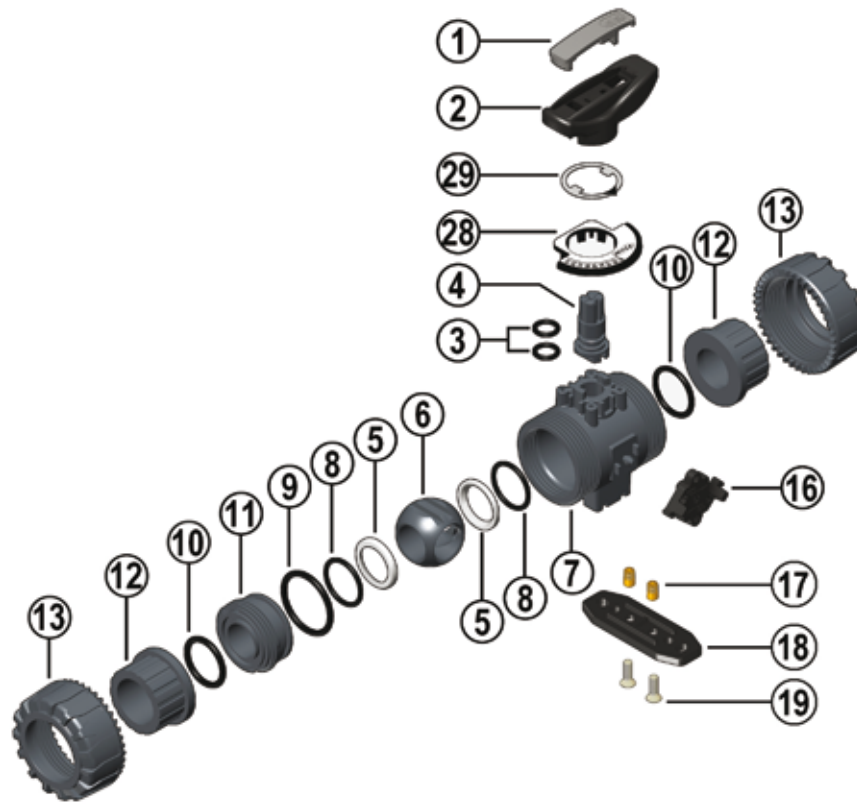
Upper flange with fasteners nuts and protection caps

DN	Position	to be used with:	Code
65	11-14-15-22-23	VKD - FK	UFFK160
80	11-14-15-22-23	VKD - FK	UFFK160
100	11-14-15-22-23	VKD - FK	UFFK160

VKR DN 10÷50

SPARE PARTS FOR MANUAL VALVES

SPARE PARTS FOR DUAL BLOCK® 2-WAY REGULATING BALL VALVE



Sealing set

Sealing set

DN	Position	to be used with:	EPDM code	FKM code
10÷15	3-5-8-9-10	VKD-VKR	SETVKD020E	SETVKD020F
20	3-5-8-9-10	VKD-VKR	SETVKD025E	SETVKD025F
25	3-5-8-9-10	VKD-VKR	SETVKD032E	SETVKD032F
32	3-5-8-9-10	VKD-VKR	SETVKD040E	SETVKD040F
40	3-5-8-9-10	VKD-VKR	SETVKD050E	SETVKD050F
50	3-5-8-9-10	VKD-VKR	SETVKD063E	SETVKD063F

Handle set

Handle set

DN	Position	to be used with:	Code
10÷15	1-2	VKD-VKR	HSVKD020
20	1-2	VKD-VKR	HSVKD025
25	1-2	VKD-VKR	HSVKD032
32	1-2	VKD-VKR	HSVKD040
40	1-2	VKD-VKR	HSVKD050
50	1-2	VKD-VKR	HSVKD063

VKR DN 10÷50

SPARE PARTS FOR MANUAL VALVES

SPARE PARTS FOR DUAL BLOCK® 2-WAY REGULATING BALL VALVE

Stem

Stem

DN	Position	to be used with:	PVC-U code	PP-H code	PVDF code
10÷15	4	VKD-VKR-TKD	STVKD020V	STVKD020M	STVKD020F
20	4	VKD-VKR-TKD	STVKD025V	STVKD025M	STVKD025F
25	4	VKD-VKR-TKD	STVKD032V	STVKD032M	STVKD032F
32	4	VKD-VKR-TKD	STVKD040V	STVKD040M	STVKD040F
40	4	VKD-VKR-TKD	STVKD050V	STVKD050M	STVKD050F
50	4	VKD-VKR-TKD	STVKD063V	STVKD063M	STVKD063F

Carrier

Ball seat carrier

DN	Position	to be used with:	PVC-U code	PP-H code	PVDF code
10÷15	11	VKD-VKR	SEVKD020V	SEVKD020M	SEVKD020F
20	11	VKD-VKR	SEVKD025V	SEVKD025M	SEVKD025F
25	11	VKD-VKR	SEVKD032V	SEVKD032M	SEVKD032F
32	11	VKD-VKR	SEVKD040V	SEVKD040M	SEVKD040F
40	11	VKD-VKR	SEVKD050V	SEVKD050M	SEVKD050F
50	11	VKD-VKR	SEVKD063V	SEVKD063M	SEVKD063F

Union nut

Union nut

DN	Position	to be used with:	PVC-U code	PP-H code	PVDF code
10÷15	13	VKD-VKR-TKD-SR-VV-VR-VA-VZ	NTVKD020V	NTVKD020M	NTVKD020F
20	13	VKD-VKR-TKD-SR-VV-VR-VA-VZ	NTVKD025V	NTVKD025M	NTVKD025F
25	13	VKD-VKR-TKD-SR-VV-VR-VA-VZ	NTVKD032V	NTVKD032M	NTVKD032F
32	13	VKD-VKR-TKD-SR-VV-VR-VA-VZ	NTVKD040V	NTVKD040M	NTVKD040F
40	13	VKD-VKR-TKD-SR-VV-VR-VA-VZ	NTVKD050V	NTVKD050M	NTVKD050F
50	13	VKD-VKR-TKD-SR-VV-VR-VA-VZ	NTVKD063V	NTVKD063M	NTVKD063F

DUAL BLOCK® Kit

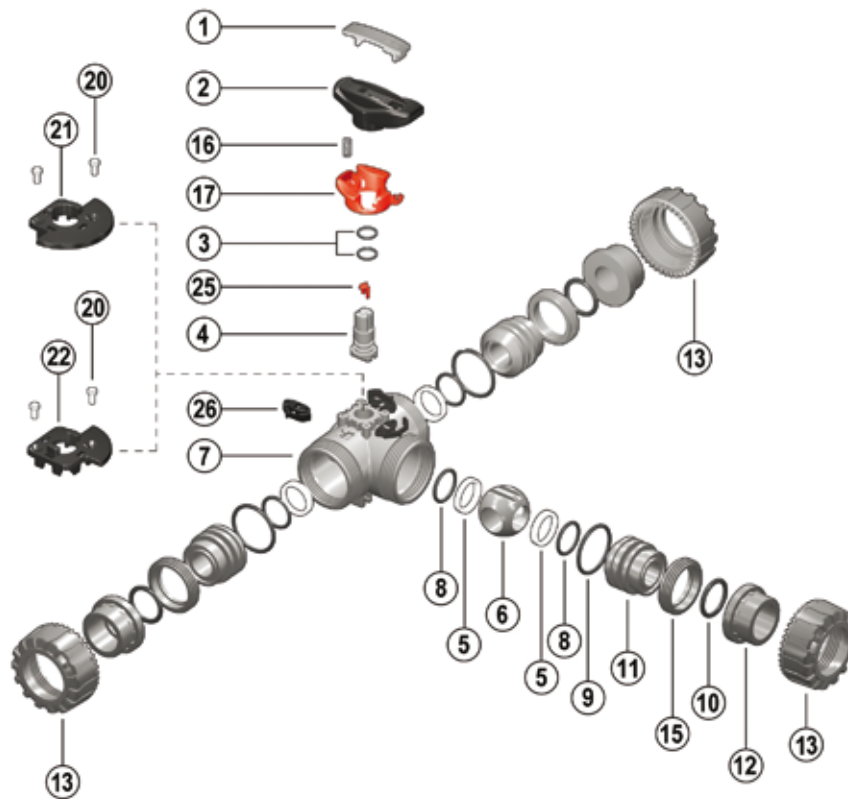
DUAL BLOCK® Kit

DN	Position	to be used with:	Code
10÷15	16	VKD-VKR	DBVKD020025
20	16	VKD-VKR	DBVKD020025
25	16	VKD-VKR	DBVKD032
32	16	VKD-VKR	DBVKD040050
40	16	VKD-VKR	DBVKD040050
50	16	VKD-VKR	DBVKD063

TKD DN 10÷50

SPARE PARTS FOR MANUAL VALVES

SPARE PARTS FOR DUAL BLOCK® 3-WAY BALL VALVE



Sealing set

Sealing set

DN	Position	EPDM code	FKM code
10÷15	3-5-8-9-10	SETTKD020E	SETTKD020F
20	3-5-8-9-10	SETTKD025E	SETTKD025F
25	3-5-8-9-10	SETTKD032E	SETTKD032F
32	3-5-8-9-10	SETTKD040E	SETTKD040F
40	3-5-8-9-10	SETTKD050E	SETTKD050F
50	3-5-8-9-10	SETTKD063E	SETTKD063F

Handle set

Handle set

DN	Position	Code
10÷15	1-2	HSTKD020
20	1-2	HSTKD025
25	1-2	HSTKD032
32	1-2	HSTKD040
40	1-2	HSTKD050
50	1-2	HSTKD063

TKD DN 10÷50 SPARE PARTS FOR MANUAL VALVES

SPARE PARTS FOR DUAL BLOCK® 3-WAY BALL VALVE

Stem

Stem

DN	Position	to be used with:	PVC-U code	PVC-C code	PP-H code
10÷15	4	VKD-VKR-TKD	STVKD020V	STVKD020C	STVKD020M
20	4	VKD-VKR-TKD	STVKD025V	STVKD025C	STVKD025M
25	4	VKD-VKR-TKD	STVKD032V	STVKD032C	STVKD032M
32	4	VKD-VKR-TKD	STVKD040V	STVKD040C	STVKD040M
40	4	VKD-VKR-TKD	STVKD050V	STVKD050C	STVKD050M
50	4	VKD-VKR-TKD	STVKD063V	STVKD063C	STVKD063M

Ball ("T" bore)

TKD ball ("T" bore)

DN	Position	PVC-U code	PVC-C code	PP-H code
10÷15	6	BLTKD020V	BLTKD020C	BLTKD020M
20	6	BLTKD025V	BLTKD025C	BLTKD025M
25	6	BLTKD032V	BLTKD032C	BLTKD032M
32	6	BLTKD040V	BLTKD040C	BLTKD040M
40	6	BLTKD050V	BLTKD050C	BLTKD050M
50	6	BLTKD063V	BLTKD063C	BLTKD063M

Ball ("L" bore)

TKD ball ("L" bore)

DN	Position	PVC-U code	PVC-C code	PP-H code
10÷15	6	BLLKD020V	BLLKD020C	BLLKD020M
20	6	BLLKD025V	BLLKD025C	BLLKD025M
25	6	BLLKD032V	BLLKD032C	BLLKD032M
32	6	BLLKD040V	BLLKD040C	BLLKD040M
40	6	BLLKD050V	BLLKD050C	BLLKD050M
50	6	BLLKD063V	BLLKD063C	BLLKD063M

Carrier

Ball seat carrier

DN	Position	PVC-U code	PVC-C code	PP-H code
10÷15	11-15	SETKD020V	SETKD020C	SETKD020M
20	11-15	SETKD025V	SETKD025C	SETKD025M
25	11-15	SETKD032V	SETKD032C	SETKD032M
32	11-15	SETKD040V	SETKD040C	SETKD040M
40	11-15	SETKD050V	SETKD050C	SETKD050M
50	11-15	SETKD063V	SETKD063C	SETKD063M

Union nut

Union nut

DN	Position	to be used with:	PVC-U code	PVC-C code	PP-H code
10÷15	13	VKD-VKR-TKD-SR-VV-VR-VA-VZ	NTVKD020V	NTVKD020C	NTVKD020M
20	13	VKD-VKR-TKD-SR-VV-VR-VA-VZ	NTVKD025V	NTVKD025C	NTVKD025M
25	13	VKD-VKR-TKD-SR-VV-VR-VA-VZ	NTVKD032V	NTVKD032C	NTVKD032M
32	13	VKD-VKR-TKD-SR-VV-VR-VA-VZ	NTVKD040V	NTVKD040C	NTVKD040M
40	13	VKD-VKR-TKD-SR-VV-VR-VA-VZ	NTVKD050V	NTVKD050C	NTVKD050M
50	13	VKD-VKR-TKD-SR-VV-VR-VA-VZ	NTVKD063V	NTVKD063C	NTVKD063M

TKD DN 10÷50

SPARE PARTS FOR MANUAL VALVES

SPARE PARTS FOR DUAL BLOCK® 3-WAY BALL VALVE

DUAL BLOCK® kit

DUAL BLOCK® kit (3 pcs)

DN	Position	Code
10÷15	26	DBTKD020025
20	26	DBTKD020025
25	26	DBTKD032040
32	26	DBTKD032040
40	26	DBTKD050063
50	26	DBTKD050063

Optical position indicator

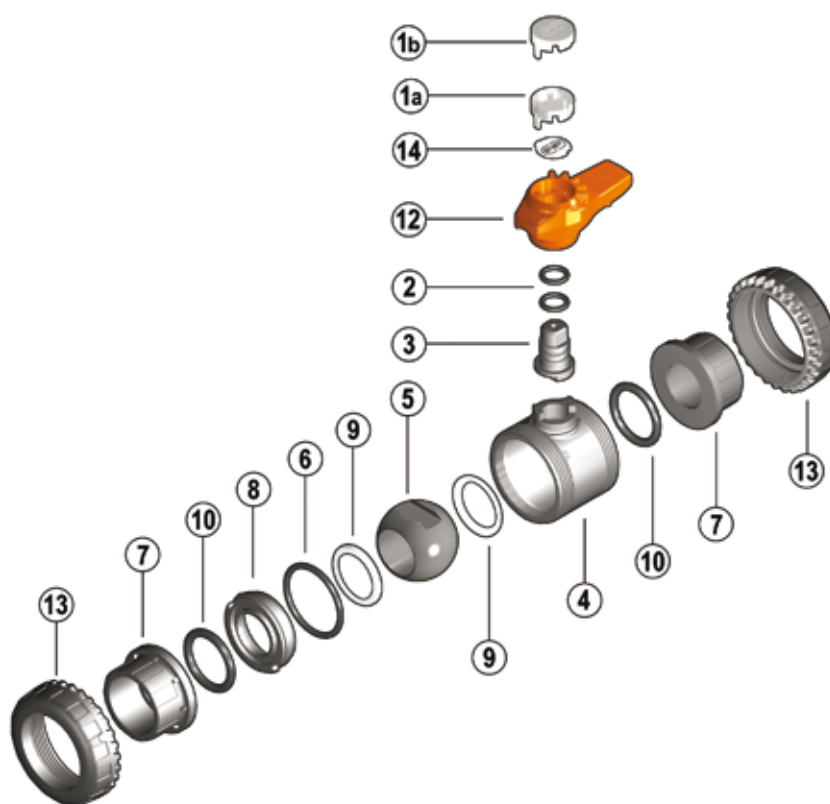
Optical position indicator

DN	Position	Code
10÷15	25	PITKD020
20	25	PITKD025032
25	25	PITKD025032
32	25	PITKD040050
40	25	PITKD040050
50	25	PITKD063

VXE DN 10÷50

SPARE PARTS FOR MANUAL VALVES

SPARE PARTS FOR EASYFIT 2-WAY BALL VALVE



Sealing set

Sealing set

DN	Position	EPDM code	FKM code
10÷15	2-6-9-10	SETVX020E	SETVX020F
20	2-6-9-10	SETVX025E	SETVX025F
25	2-6-9-10	SETVX032E	SETVX032F
32	2-6-9-10	SETVX040E	SETVX040F
40	2-6-9-10	SETVX050E	SETVX050F
50	2-6-9-10	SETVX063E	SETVX063F

Handle set

Handle set

DN	Position	Code
10÷15	1a - 12 - 14	HSVXE020
20	1a - 12 - 14	HSVXE025
25	1a - 12 - 14	HSVXE032
32	1a - 12 - 14	HSVXE040
40	1a - 12 - 14	HSVXE050
50	1a - 12 - 14	HSVXE063

VXE DN 10÷50

SPARE PARTS FOR MANUAL VALVES

SPARE PARTS FOR EASYFIT 2-WAY BALL VALVE

Stem

Stem

DN	Position	PVC-U code	PVC-C code
10÷15	3	STVXE020V	STVXE020C
20	3	STVXE025V	STVXE025C
25	3	STVXE032V	STVXE032C
32	3	STVXE040V	STVXE040C
40	3	STVXE050V	STVXE050C
50	3	STVXE063V	STVXE063C

Ball

Ball

DN	Position	PVC-U code	PVC-C code
10÷15	5	BLVX020V	BLVX020C
20	5	BLVX025V	BLVX025C
25	5	BLVX032V	BLVX032C
32	5	BLVX040V	BLVX040C
40	5	BLVX050V	BLVX050C
50	5	BLVX063V	BLVX063C

Carrier

Ball seat carrier

DN	Position	PVC-U code	PVC-C code
10÷15	8	SEVX020V	SEVX020C
20	8	SEVX025V	SEVX025C
25	8	SEVX032V	SEVX032C
32	8	SEVX040V	SEVX040C
40	8	SEVX050V	SEVX050C
50	8	SEVX063V	SEVX063C

Union nut

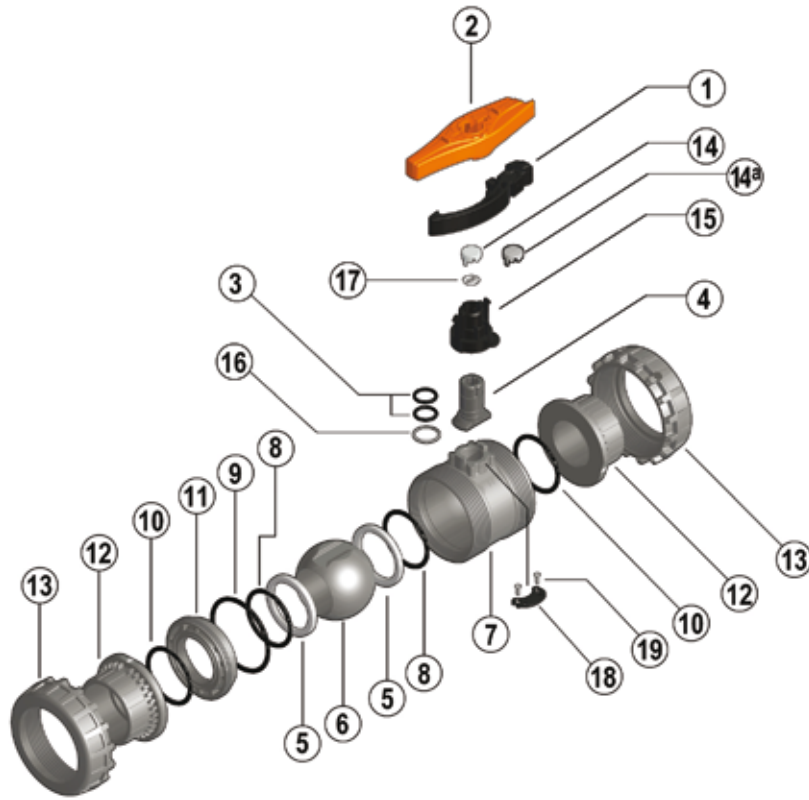
Union nut

DN	Position	PVC-U code	PVC-C code
10÷15	13	NTVXE020V	NTVXE020C
20	13	NTVXE025V	NTVXE025C
25	13	NTVXE032V	NTVXE032C
32	13	NTVXE040V	NTVXE040C
40	13	NTVXE050V	NTVXE050C
50	13	NTVXE063V	NTVXE063C

VXE DN 65÷100

SPARE PARTS FOR MANUAL VALVES

SPARE PARTS FOR EASYFIT 2-WAY BALL VALVE



Sealing set

Sealing set

DN	Position	EPDM code	PTFE-EPDM code	PTFE-FKM code
65	3 - 5 - 8 - 9 - 10 - 16	SETVEE075E	SETVXE075E	SETVXE075F
80	3 - 5 - 8 - 9 - 10 - 16	SETVEE090E	SETVXE090E	SETVXE090F
100	3 - 5 - 8 - 9 - 10 - 16	SETVEE110E	SETVXE110E	SETVXE110F

Handle set

Handle set

DN	Position	Code
65	1 - 2	HSVXE075
80	1 - 2	HSVXE090
100	1 - 2	HSVXE110

Hub

Hub

DN	Position	Code
65	14 - 15 - 17	HUBVXE090
80	14 - 15 - 17	HUBVXE090
100	14 - 15 - 17	HUBVXE110

VXE DN 65÷100

SPARE PARTS FOR MANUAL VALVES

SPARE PARTS FOR EASYFIT 2-WAY BALL VALVE

Stem

Stem

DN	Position	PVC-U code	PVC-C code
65	4	STVXE090V	STVXE090C
80	4	STVXE090V	STVXE090C
100	4	STVXE110V	STVXE110C

Ball

Ball

DN	Position	PVC-U code	PVC-C code
65	6	BLVXE075V	BLVXE075C
80	6	BLVXE090V	BLVXE090C
100	6	BLVXE110V	BLVXE110C

Carrier

Ball seat carrier

DN	Position	PVC-U code	PVC-C code
65	11	SEVXE075V	SEVXE075C
80	11	SEVXE090V	SEVXE090C
100	11	SEVXE110V	SEVXE110C

Union nut

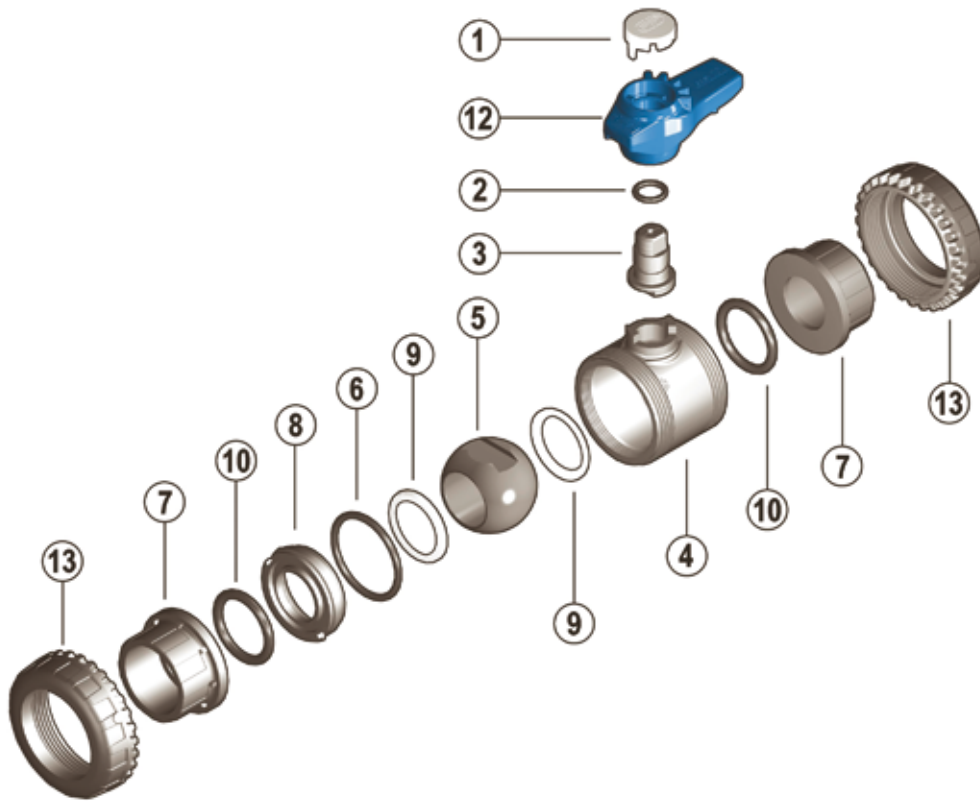
Union nut

DN	Position	PVC-U code	PVC-C code
65	13	NTVXE075V	NTVXE075C
80	13	NTVXE090V	NTVXE090C
100	13	NTVXE110V	NTVXE110C

VEE DN 10÷50

SPARE PARTS FOR MANUAL VALVES

SPARE PARTS FOR EASYFIT 2-WAY BALL VALVE



Sealing set

Sealing set

DN	Position	EPDM code
10÷15	2-6-9-10	SETVE020E
20	2-6-9-10	SETVE025E
25	2-6-9-10	SETVE032E
32	2-6-9-10	SETVE040E
40	2-6-9-10	SETVE050E
50	2-6-9-10	SETVE063E

Handle set

Handle set

DN	Position	Code
10÷15	1 - 12	HSVVE020
20	1 - 12	HSVVE025
25	1 - 12	HSVVE032
32	1 - 12	HSVVE040
40	1 - 12	HSVVE050
50	1 - 12	HSVVE063

VEE DN 10÷50

SPARE PARTS FOR MANUAL VALVES

SPARE PARTS FOR EASYFIT 2-WAY BALL VALVE

Stem

Stem

DN	Position	PVC-U code
10÷15	3	STVX020V
20	3	STVX025V
25	3	STVX032V
32	3	STVX040V
40	3	STVX050V
50	3	STVX063V

Ball

Ball

DN	Position	PVC-U code
10÷15	5	BLVX020V
20	5	BLVX025V
25	5	BLVX032V
32	5	BLVX040V
40	5	BLVX050V
50	5	BLVX063V

Carrier

Ball seat carrier

DN	Position	PVC-U code
10÷15	8	SEVX020V
20	8	SEVX025V
25	8	SEVX032V
32	8	SEVX040V
40	8	SEVX050V
50	8	SEVX063V

Union nut

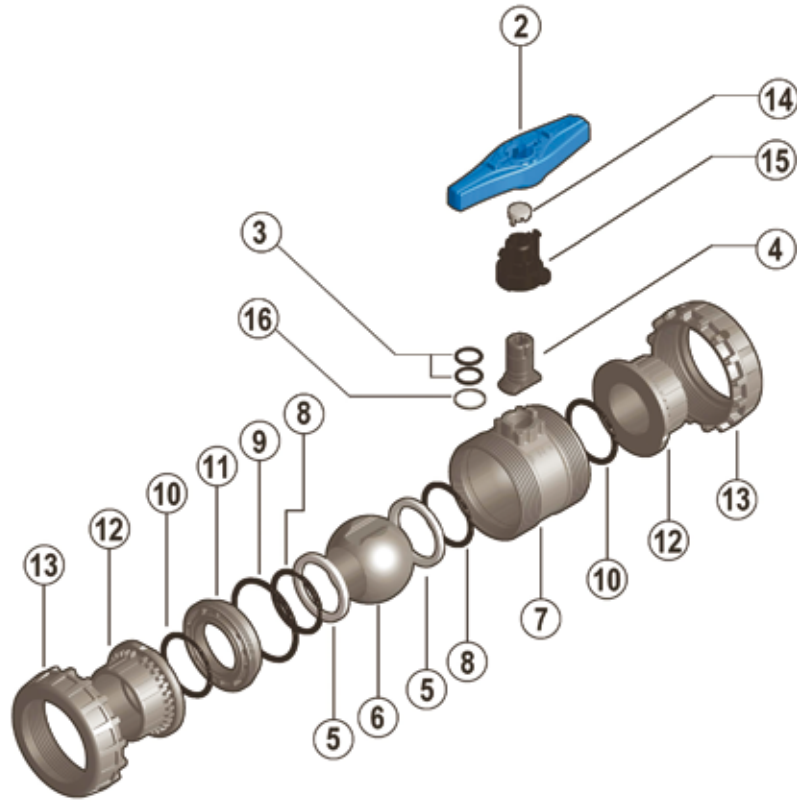
Union nut

DN	Position	PVC-U code
10÷15	13	NTVXE020V
20	13	NTVXE025V
25	13	NTVXE032V
32	13	NTVXE040V
40	13	NTVXE050V
50	13	NTVXE063V

VEE DN 65÷100

SPARE PARTS FOR MANUAL VALVES

SPARE PARTS FOR EASYFIT 2-WAY BALL VALVE



Sealing set

Sealing set

DN	Position	EPDM code
65	3 - 5 - 8 - 9 - 10 - 16	SETVEE075E
80	3 - 5 - 8 - 9 - 10 - 16	SETVEE090E
100	3 - 5 - 8 - 9 - 10 - 16	SETVEE110E

Handle set

Handle set

DN	Position	Code
65	2	HAVEE075
80	2	HAVEE090
100	2	HAVEE110

Hub

Hub

DN	Position	Code
65	14 - 15	HUBVEE090
80	14 - 15	HUBVEE090
100	14 - 15	HUBVEE110

VEE DN 65÷100

SPARE PARTS FOR MANUAL VALVES

SPARE PARTS FOR EASYFIT 2-WAY BALL VALVE

Stem

Stem

DN	Position	PVC-U code
65	4	STVXE090V
80	4	STVXE090V
100	4	STVXE110V

Ball

Ball

DN	Position	PVC-U code
65	6	BLVXE075V
80	6	BLVXE090V
100	6	BLVXE110V

Carrier

Ball seat carrier

DN	Position	PVC-U code
65	11	SEVXE075V
80	11	SEVXE090V
100	11	SEVXE110V

Union nut

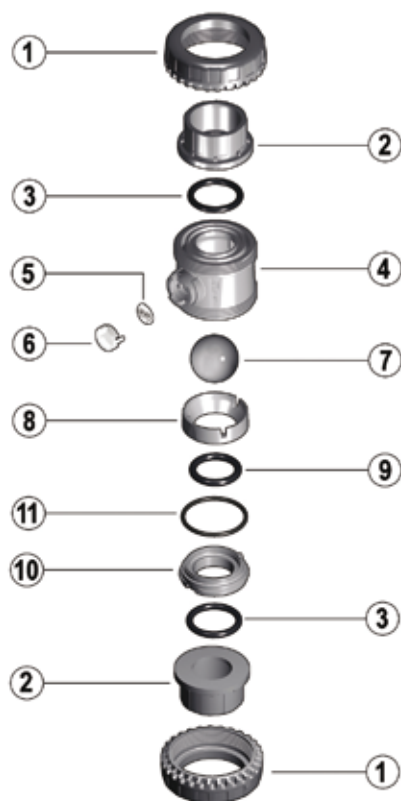
Union nut

DN	Position	PVC-U code
65	13	NTVXE075V
80	13	NTVXE090V
100	13	NTVXE110V

SXE DN 10÷50

SPARE PARTS FOR MANUAL VALVES

SPARE PARTS FOR EASYFIT BALL CHECK VALVE



Sealing set

Sealing set

DN	Position	EPDM code	FKM code
10÷15	3 - 9 - 11	SETSXE020E	SETSXE020F
20	3 - 9 - 11	SETSXE025E	SETSXE025F
25	3 - 9 - 11	SETSXE032E	SETSXE032F
32	3 - 9 - 11	SETSXE040E	SETSXE040F
40	3 - 9 - 11	SETSXE050E	SETSXE050F
50	3 - 9 - 11	SETSXE063E	SETSXE063F

Ball

Ball

DN	Position	PVC-U code
10÷15	7	BLSR020V
20	7	BLSR025V
25	7	BLSR032V
32	7	BLSR040V
40	7	BLSR050V
50	7	BLSR063V

SXE DN 10÷50

SPARE PARTS FOR MANUAL VALVES

SPARE PARTS FOR EASYFIT BALL CHECK VALVE

Carrier

Ball seat carrier

DN	Position	PVC-U code
10÷15	10	SESXE020V
20	10	SESXE025V
25	10	SESXE032V
32	10	SESXE040V
40	10	SESXE050V
50	10	SESXE063V

Ring

Packing-presser ring

DN	Position	PVC-U code
10÷15	8	PRSXE020V
20	8	PRSXE025V
25	8	PRSXE032V
32	8	PRSXE040V
40	8	PRSXE050V
50	8	PRSXE063V

Union nut

Union nut

DN	Position	PVC-U code
10÷15	1	NTVXE020V
20	1	NTVXE025V
25	1	NTVXE032V
32	1	NTVXE040V
40	1	NTVXE050V
50	1	NTVXE063V

LCE set

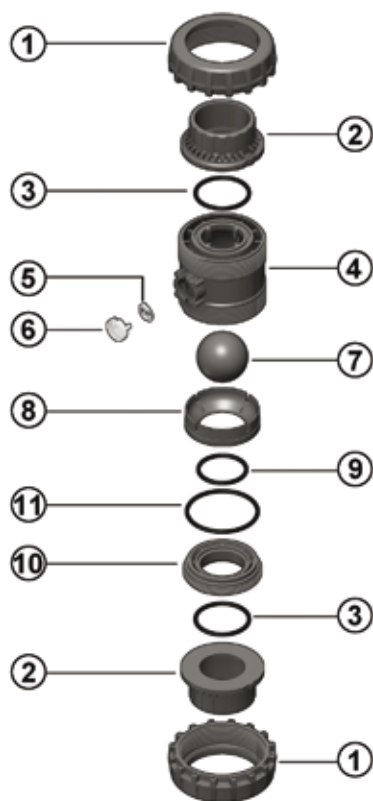
Set of transparent service plugs and white PVC tag holders (10+10 pcs each set)

d	Position	Code
25	5-6	LCE020
32	5-6	LCE025
40-50	5-6	LCE032

SXE DN 65÷100

SPARE PARTS FOR MANUAL VALVES

SPARE PARTS FOR EASYFIT BALL CHECK VALVE



Sealing set

Sealing set

DN	Position	EPDM code	FKM code
65	3-9-11	SETSXE075E	SETSXE075F
80	3-9-11	SETSXE090E	SETSXE090F
100	3-9-11	SETSXE110E	SETSXE110F

Ball

Ball

DN	Position	PVC-U code
65	7	BLSXE075V
80	7	BLSXE090V
100	7	BLSXE110V

Carrier

Ball seat carrier

DN	Position	PVC-U code
65	10	SESXE075V
80	10	SESXE090V
100	10	SESXE110V

SXE DN 65÷100

SPARE PARTS FOR MANUAL VALVES

SPARE PARTS FOR EASYFIT BALL CHECK VALVE

LCE set

Set of transparent service plugs and white PVC tag holders (10+10 pcs each set)

d	Position	Code
65	5-6	LCE063
80	5-6	LCE063
100	5-6	LCE063

Ring

Packing-presser ring

DN	Position	PVC-U code
65	8	PRSXE075V
80	8	PRSXE090V
100	8	PRSXE110V

Union nut

Union nut

DN	Position	PVC-U code
65	1	NTVXE075V
80	1	NTVXE090V
100	1	NTVXE110V

SSE DN 10÷50

SPARE PARTS FOR MANUAL VALVES

SPARE PARTS FOR EASYFIT SPRING CHECK VALVE



Sealing set

Sealing set

DN	Position	EPDM code	FKM code
10÷15	3-9	SETSSE020E	SETSSE020F
20	3-9	SETSSE025E	SETSSE025F
25	3-9	SETSSE032E	SETSSE032F
32	3-9	SETSSE040E	SETSSE040F
40	3-9	SETSSE050E	SETSSE050F
50	3-9	SETSSE063E	SETSSE063F

Spring + Cap Assembly

Spring + Cap Assembly

DN	Position	PVC-U code/A316	PVC-U code/A316/PTFE	PVC-U code/HASTELLOY
10÷15	7-12	ASSE020VX	-	ASSE020VH
20	7-12	ASSE025VX	-	ASSE025VH
25	7-12	ASSE032VX	-	ASSE032VH
32	7-12	ASSE040VX	ASSE040VOP	-
40	7-12	ASSE050VX	ASSE050VOP	-
50	7-12	ASSE063VX	ASSE063VOP	-

SSE DN 10÷50

SPARE PARTS FOR MANUAL VALVES

SPARE PARTS FOR EASYFIT SPRING CHECK VALVE

Union nut

Union nut

DN	Position	PVC-U code	PVC-C code
10÷15	1	NTVXE020V	NTVXE020C
20	1	NTVXE025V	NTVXE025C
25	1	NTVXE032V	NTVXE032C
32	1	NTVXE040V	NTVXE040C
40	1	NTVXE050V	NTVXE050C
50	1	NTVXE063V	NTVXE063C

LCE set

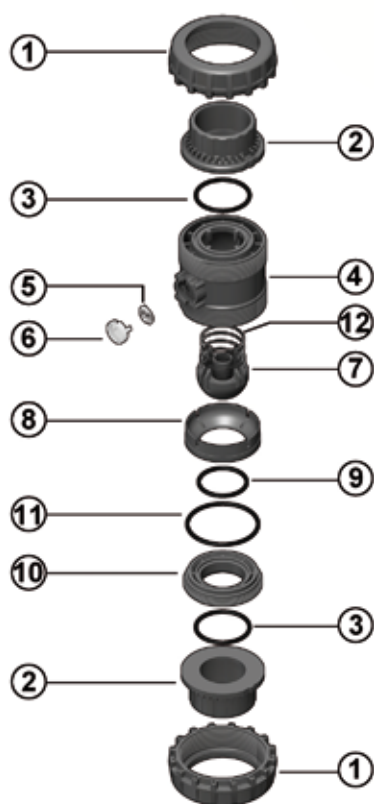
Set of transparent service plugs and white PVC tag holders (10+10 pcs each set)

d	Position	Code
25	5-6	LCE020
32	5-6	LCE025
40-50	5-6	LCE032

SSE DN 65÷100

SPARE PARTS FOR MANUAL VALVES

SPARE PARTS FOR EASYFIT SPRING CHECK VALVE



Sealing set

Sealing set

DN	Position	EPDM code	FKM code
65	3-9-11	SETSXE075E	SETSXE075F
80	3-9-11	SETSXE090E	SETSXE090F
100	3-9-11	SETSXE110E	SETSXE110F

Spring + Cap Assembly

Spring + Cap Assembly

DN	Position	PVC-U code/A316	PVC-U code/A316/PTFE
65	7-12	ASSE075VX	ASSE075VOP
80	7-12	ASSE090VX	ASSE090VOP
100	7-12	ASSE110VX	ASSE110VOP

Carrier

Ball seat carrier

DN	Position	PVC-U code	PVC-C code
65	10	SESXE075V	SESXE075C
80	10	SESXE090V	SESXE090C
100	10	SESXE110V	SESXE110C

SSE DN 65÷100

SPARE PARTS FOR MANUAL VALVES

SPARE PARTS FOR EASYFIT SPRING CHECK VALVE

Ring

Packing-presser ring

DN	Position	PVC-U code	PVC-C code
65	8	PRSXE075V	PRSXE075C
80	8	PRSXE090V	PRSXE090C
100	8	PRSXE110V	PRSXE110C

Union nut

Union nut

DN	Position	PVC-U code	PVC-C code
65	1	NTVXE075V	NTVXE075C
80	1	NTVXE090V	NTVXE090C
100	1	NTVXE110V	NTVXE110C

LCE set

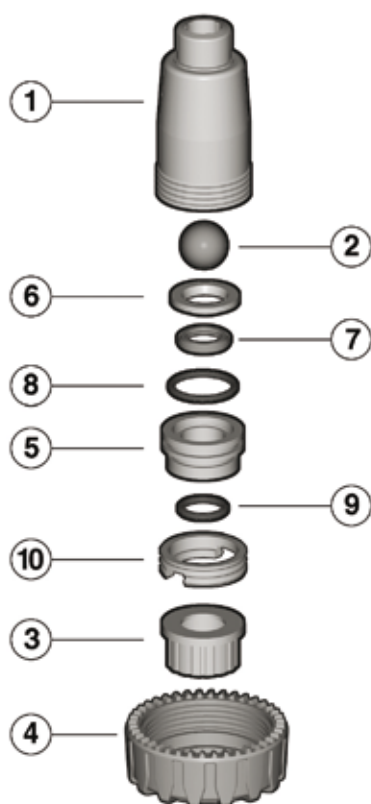
Set of transparent service plugs and white PVC tag holders (10+10 pcs each set)

d	Position	Code
65	5-6	LCE063
80	5-6	LCE063
100	5-6	LCE063

SR DN 15÷50

SPARE PARTS FOR MANUAL VALVES

SPARE PARTS FOR BALL CHECK VALVE



Sealing set

Sealing set

DN	Position	EPDM code	FKM code
10÷15	7 - 8 - 9	SETSR020E	SETSR020F
20	7 - 8 - 9	SETSR025E	SETSR025F
25	7 - 8 - 9	SETSR032E	SETSR032F
32	7 - 8 - 9	SETSR040E	SETSR040F
40	7 - 8 - 9	SETSR050E	SETSR050F
50	7 - 8 - 9	SETSR063E	SETSR063F

Ball

Ball

DN	Position	PP-H code	PVDF code
10 - 15	2	BLSR020M	BLSR020F
20	2	BLSR025M	BLSR025F
25	2	BLSR032M	BLSR032F
32	2	BLSR040M	BLSR040F
40	2	BLSR050M	BLSR050F
50	2	BLSR063M	BLSR063F

SR DN 15÷50

SPARE PARTS FOR MANUAL VALVES

SPARE PARTS FOR BALL CHECK VALVE

Carrier

Ball seat carrier

DN	Position	PP-H code	PVDF code
10 - 15	5 - 10	SESR020M	SESR020F
20	5 - 10	SESR025M	SESR025F
25	5 - 10	SESR032M	SESR032F
32	5 - 10	SESR040M	SESR040F
40	5 - 10	SESR050M	SESR050F
50	5 - 10	SESR063M	SESR063F

Ring

Packing-presser ring

DN	Position	PP-H code	PVDF code
10 - 15	6	PRSR020M	PRSR020F
20	6	PRSR025M	PRSR025F
25	6	PRSR032M	PRSR032F
32	6	PRSR040M	PRSR040F
40	6	PRSR050M	PRSR050F
50	6	PRSR063M	PRSR063F

Union nut

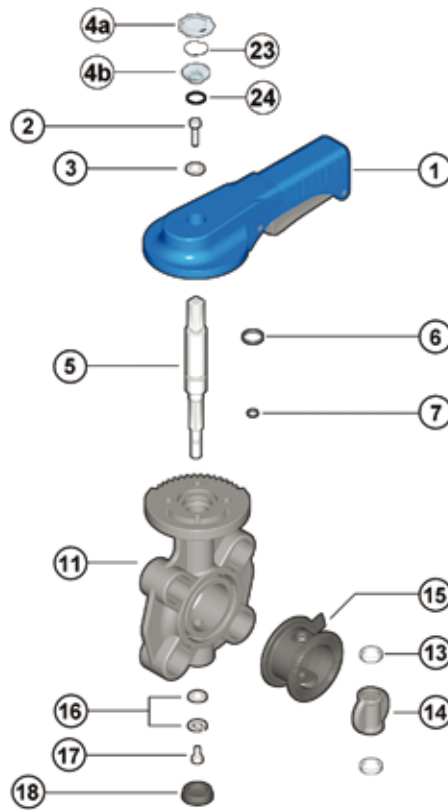
Union nut

DN	Pos	to be used with:	PP-H code	PVDF code
10÷15	4	VKD-VKR-TKD-SR-VV-VR-VA-VZ	NTVKD020M	NTVKD020F
20	4	VKD-VKR-TKD-SR-VV-VR-VA-VZ	NTVKD025M	NTVKD025F
25	4	VKD-VKR-TKD-SR-VV-VR-VA-VZ	NTVKD032M	NTVKD032F
32	4	VKD-VKR-TKD-SR-VV-VR-VA-VZ	NTVKD040M	NTVKD040F
40	4	VKD-VKR-TKD-SR-VV-VR-VA-VZ	NTVKD050M	NTVKD050F
50	4	VKD-VKR-TKD-SR-VV-VR-VA-VZ	NTVKD063M	NTVKD063F

FE DN 40÷50

SPARE PARTS FOR MANUAL VALVES

SPARE PARTS FOR BUTTERFLY VALVE



Sealing set

Sealing set

DN	Position	EPDM code	FKM code
40	6 - 7 - 13	SETFK063E	SETFK063F
50	6 - 7 - 13	SETFK063E	SETFK063F

Handle Set

Handle set

DN	Position	Code
40	1 - 2 - 3 - 4	HSFE0S11
50	1 - 2 - 3 - 4	HSFE0S11

Shaft

Shaft

DN	Position	Code
40	5	STFE050
50	5	STFE063

For spare parts of valves supplied before February 2021, please contact FIP Technical Support. The replacement of both liner and stem is necessary.

Disc

Disc FE in PVC-U

DN	Position	PVC-U code
40	14	DISCV050
50	14	DISCV063

FE DN 40÷50

SPARE PARTS FOR MANUAL VALVES

SPARE PARTS FOR BUTTERFLY VALVE

Primary Liner

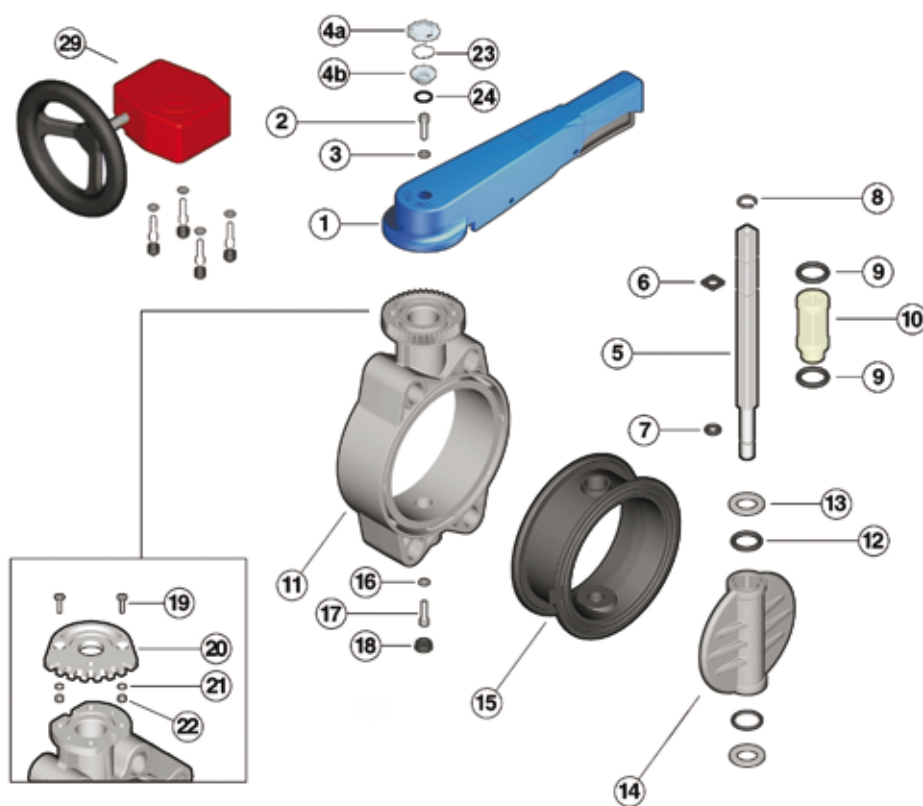
Primary Liner

DN	Position	EPDM code	FKM code
40	15	LIN050E	LIN050F
50	15	LIN063E	LIN063F

For spare parts of valves supplied before February 2021, please contact FIP Technical Support. The replacement of both liner and stem is necessary.

FE DN 65÷200 SPARE PARTS FOR MANUAL VALVES

SPARE PARTS FOR BUTTERFLY VALVE



Sealing set

Sealing set

DN	Position	EPDM code	FKM code
65	6 - 7 - 9 - 12 - 13	SETFK075E	SETFK075F
80	6 - 7 - 9 - 12 - 13	SETFK090E	SETFK090F
100	6 - 7 - 9 - 12 - 13	SETFK110E	SETFK110F
125	6 - 7 - 9 - 12 - 13	SETFK140E	SETFK140F
150	6 - 7 - 9 - 12 - 13	SETFK160E	SETFK160F
200	6 - 7 - 9 - 12 - 13	SETFK225E	SETFK225F

Handle set

Handle set

DN	Position	Code
65	1 - 2 - 3 - 4	HSFEOS11
80	1 - 2 - 3 - 4	HSFEOM14
100	1 - 2 - 3 - 4	HSFEOM14
125	1 - 2 - 3 - 4	HSFEOL17
150	1 - 2 - 3 - 4	HSFEOL17
200	1 - 2 - 3 - 4	HSFEXL22

* In case of 7 positions handle (OLD MODEL, supplied before June 2006), please contact the technical assistance

FE DN 65÷200

SPARE PARTS FOR MANUAL VALVES

SPARE PARTS FOR BUTTERFLY VALVE

Gear box kit

FE gear box kit including: Gear Box, bolts and, if necessary, the square adaptor

DN	Position	Code
65	29	GEAR01
80	29	GEAR01
100	29	GEAR01
125	29	GEAR02
150	29	GEAR02
200	29	GEAR03

Upper flange

FE upper flange (manual version with handle) with fasteners and protection caps

DN	Position	Code
200	19 - 20 - 21 - 22	UFFE225

Shaft

Shaft

DN	Position	Code
65	5	STFE075
80	5	STFE090
100	5	STFE110
125	5	STFE140
150	5	STFE160
200	5	STFE225

Disc

Disc FE in PVC-U

DN	Position	Code
65	14	DISCV075
80	14	DISCV090
100	14	DISCV110
125	14	DISCV140
150	14	DISCV160
200	14	DISCV225

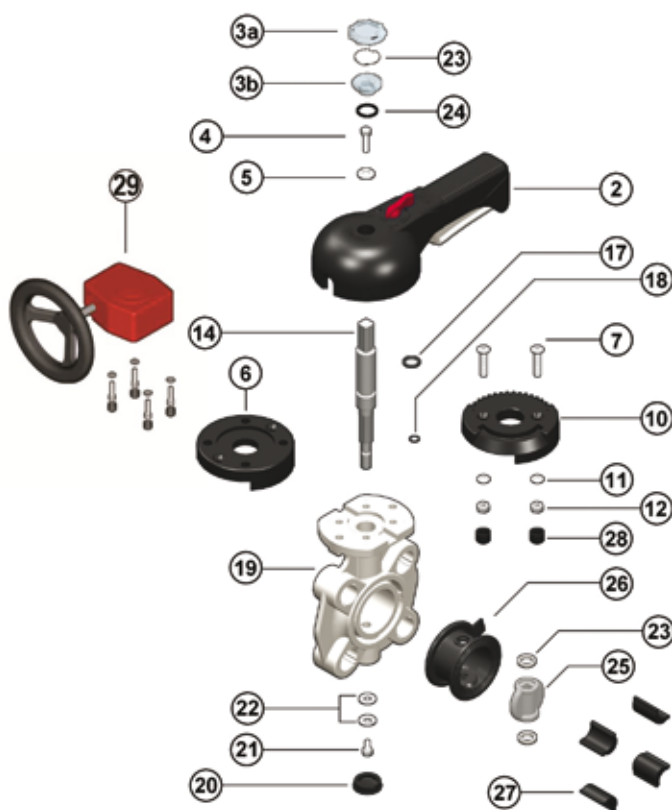
Primary Liner

Primary Liner

DN	Position	EPDM code	FKM code	NBR code
65	15	LIN075E	LIN075F	LIN075N
80	15	LIN090E	LIN090F	LIN090N
100	15	LIN110E	LIN110F	LIN110N
125	15	LIN140E	LIN140F	LIN140N
150	15	LIN160E	LIN160F	LIN160N
200	15	LIN225E	LIN225F	LIN225N

FK DN 40÷50 SPARE PARTS FOR MANUAL VALVES

SPARE PARTS FOR BUTTERFLY VALVE



Sealing set

Sealing set

DN	Position	EPDM code	FKM code
40	17 - 18 - 23	SETFK063E	SETFK063F
50	17 - 18 - 23	SETFK063E	SETFK063F

Handle set

Handle set

DN	Position	Code
40	2 - 3a - 3b - 4 - 5	HSFKD0S11
50	2 - 3a - 3b - 4 - 5	HSFKD0S11

Gear box kit

FK gear box kit including: gear box, bolts and, if necessary, the square adaptor

DN	Position	Code
40	29	GEAR01
50	29	GEAR01

Upper flange

FK upper flange (manual version with handle) with fasteners and protection caps

DN	Position	Code
40	7 - 10 - 11 - 12 - 28	UFFK160
50	7 - 10 - 11 - 12 - 28	UFFK160

FK DN 40÷50

SPARE PARTS FOR MANUAL VALVES

SPARE PARTS FOR BUTTERFLY VALVE

Shaft

Shaft

DN	Position	Code
40	14	STFK050
50	14	STFK063

For spare parts of valves supplied before February 2021, please contact FIP Technical Support. The replacement of both liner and stem is necessary.

Disc

Disc

DN	Position	PVC-U code	PVC-C code	PP-H code	PVDF code
40	25	DISCV050	DISCC050	DISCM050	DISCF050
50	25	DISCV063	DISCC063	DISCM063	DISCF063

Primary Liner

Primary Liner

DN	Position	EPDM code	FKM code
40	26	LIN050E	LIN050F
50	26	LIN063E	LIN063F

For spare parts of valves supplied before February 2021, please contact FIP Technical Support. The replacement of both liner and stem is necessary.

Centering inserts

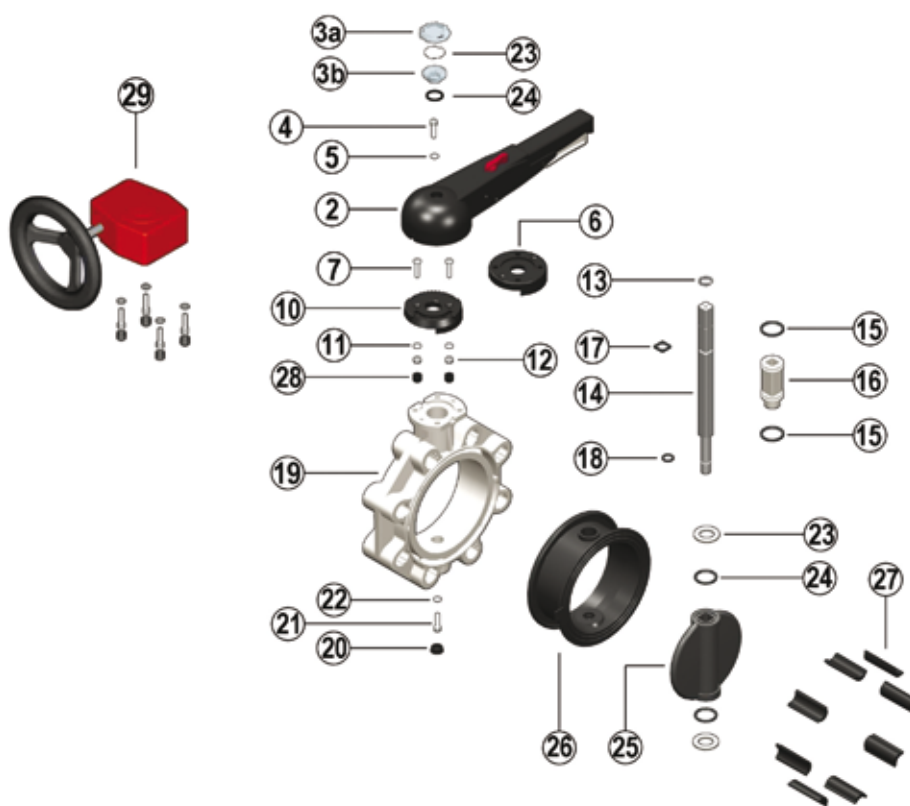
Centering inserts set

DN	Position	Code
40	27	ISFK050
50	27	ISFK063

FK DN 65÷200

SPARE PARTS FOR MANUAL VALVES

SPARE PARTS FOR BUTTERFLY VALVE



Sealing set

Sealing set

DN	Position	EPDM code	FKM code
65	15 - 17 - 18 - 23 - 24	SETFK075E	SETFK075F
80	15 - 17 - 18 - 23 - 24	SETFK090E	SETFK090F
100	15 - 17 - 18 - 23 - 24	SETFK110E	SETFK110F
125	15 - 17 - 18 - 23 - 24	SETFK140E	SETFK140F
150	15 - 17 - 18 - 23 - 24	SETFK160E	SETFK160F
200	15 - 17 - 18 - 23 - 24	SETFK225E	SETFK225F

Handle set

Handle set

DN	Position	Code
65	2 - 3a - 3b - 4 - 5	HSFKDOS11
80*	2 - 3a - 3b - 4 - 5	HSFKD0M14
100*	2 - 3a - 3b - 4 - 5	HSFKD0M14
125*	2 - 3a - 3b - 4 - 5	HSFKD0L17
150*	2 - 3a - 3b - 4 - 5	HSFKD0L17
200	2 - 3a - 3b - 4 - 5	HSFKDXL22

* For valves supplied before July 2006 it is necessary to order also the upper flange: Code UFFK160

FK DN 65÷200

SPARE PARTS FOR MANUAL VALVES

SPARE PARTS FOR BUTTERFLY VALVE

Gear box kit

FK gear box kit including: gear box, bolts and, if necessary, the square adaptor

DN	Position	Code
65	29	GEAR01
80	29	GEAR01
100	29	GEAR01
125	29	GEAR02
150	29	GEAR02
200	29	GEAR03

*Note: in order to install on FK (d75÷225) it is necessary to use the "Actuation Adaptor" (FKADA160, FKADA225), see Accessory Price List EAM"

Upper flange

FK upper flange (manual version with handle) with fasteners and protection caps

DN	Position	Code
65	7- 10 - 11 - 12 - 28	UFFK160
80	7- 10 - 11 - 12 - 28	UFFK160
100	7- 10 - 11 - 12 - 28	UFFK160
125	7- 10 - 11 - 12 - 28	UFFK160
150	7- 10 - 11 - 12 - 28	UFFK160
200	7- 10 - 11 - 12 - 28	UFFK225

* for valves supplied after July 2006

Shaft

Shaft

DN	Position	Code
65	14	STFK075
80	14	STFK090
100	14	STFK110
125	14	STFK140
150	14	STFK160
200	14	STFK225

Disc

Disc

DN	Position	PVC-U code	PVC-C code	PP-H code	PVDF code
65	25	DISCV075	DISCC075	DISCM075	DISCF075
80	25	DISCV090	DISCC090	DISCM090	DISCF090
100	25	DISCV110	DISCC110	DISCM110	DISCF110
125	25	DISCV140	DISCC140	DISCM140	DISCF140
150	25	DISCV160	DISCC160	DISCM160	DISCF160
200	25	DISCV225	DISCC225	DISCM225	DISCF225

Primary Liner

Primary liner

DN	Position	EPDM code	FKM code	NBR code
65	26	LIN075E	LIN075F	LIN075N
80	26	LIN090E	LIN090F	LIN090N
100	26	LIN110E	LIN110F	LIN110N
125	26	LIN140E	LIN140F	LIN140N
150	26	LIN160E	LIN160F	LIN160N
200	26	LIN225E	LIN225F	LIN225N

FK DN 65÷200

SPARE PARTS FOR MANUAL VALVES

SPARE PARTS FOR BUTTERFLY VALVE

Centering inserts

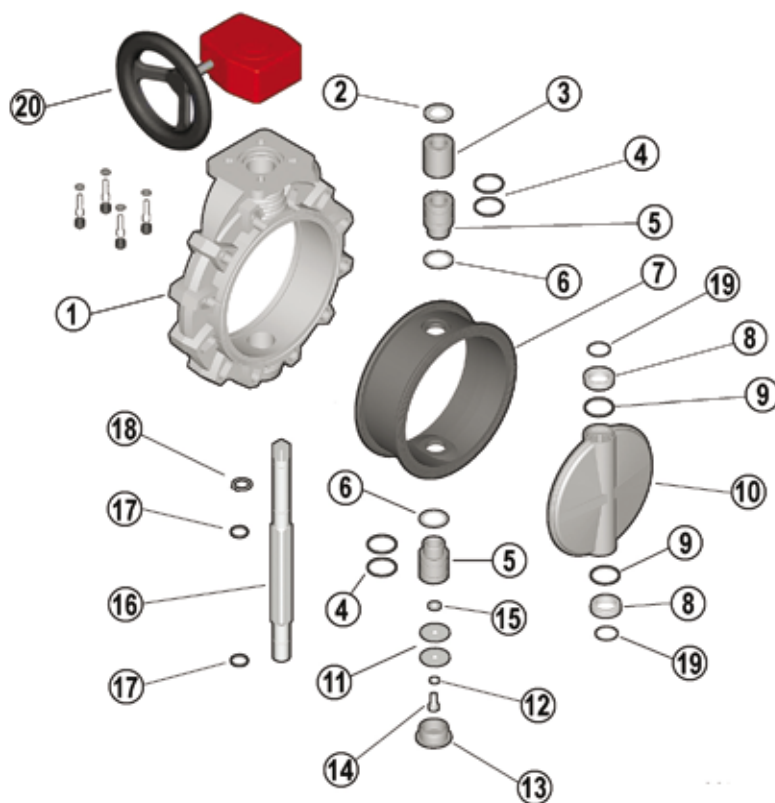
Centering inserts set

DN	Position	Code
65	27	ISFK075
80	27	ISFK090
100	27	ISFK110
125	27	ISFK140
150	27	ISFK160
200	27	ISFK225

FK DN 250÷300

SPARE PARTS FOR MANUAL VALVES

SPARE PARTS FOR BUTTERFLY VALVE



Sealing set

Sealing set

DN	Position	EPDM code	FKM code
250	4 - 6 - 9 - 17 - 19	SETFK315E	SETFK315F
300	4 - 6 - 9 - 17 - 19	SETFK315E	SETFK315F

Gear box kit

FK gear box kit including: gear box, bolts and, if necessary, the square adaptor

DN	Position	Code
250	20	GEAR04
300	20	GEAR04

Shaft

Shaft

DN	Position	Code
250	16	STFK280
300	16	STFK315

(*) for valves with PVC-U disc only. For other materials please contact FIP Technical Support.

Disc

Disc

DN	Position	PVC-U code	PVC-C code	PP-H code	PVDF code
250	10	DISCV280	DISCC280	DISCM280	DISCF280
300	10	DISCV315	DISCC315	DISCM315	DISCF315

FK DN 250÷300

SPARE PARTS FOR MANUAL VALVES

SPARE PARTS FOR BUTTERFLY VALVE

Primary Liner

Primary Liner

DN	Position	EPDM code	FKM code
250	7	LIN280E	LIN280F
300	7	LIN315E	LIN315F

FK DN 350÷400

SPARE PARTS FOR MANUAL VALVES

SPARE PARTS FOR BUTTERFLY VALVE



Sealing set

Sealing set

DN	Position	EPDM code	FKM code
350-400	4 - 6 - 9 - 17	SETFK400E	SETFK400F

Gear box kit

FK gear box kit including: gear box, bolts and, if necessary, the square adaptor

DN	Position	Code
350-400	20	GEAR05

Shaft

Shaft

DN	Position	(*)Code
350	16	STFK355
400	16	STFK400

(*) for valves with PVC-U disc only. For other materials please contact FIP Technical Support.

Disc

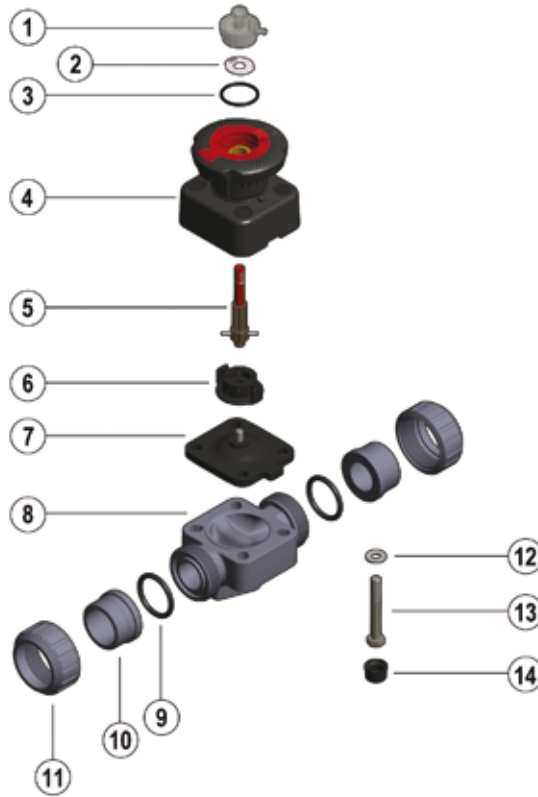
Disc

DN	Position	PVC-U code	PP-H code	PVDF code
350	10	DISCV355	DISCM355	DISCF355
400	10	DISCV400	DISCM400	DISCF400

DK DN 15÷65

SPARE PARTS FOR MANUAL VALVES

SPARE PARTS FOR DIALOCK® DIAPHRAGM VALVE



Diaphragm

Diaphragm

DN	Position	EPDM code	FKM code	PTFE code	NBR code
15	7	DIA025E	DIA025F	DIADK025P	DIA025N
20	7	DIA025E	DIA025F	DIADK025P	DIA025N
25	7	DIA032E	DIA032F	DIADK032P	DIA032N
32	7	DIA032E	DIA032F	DIADK032P	DIA032N
40	7	DIA050E	DIA050F	DIADK050P	DIA050N
50	7	DIA063E	DIA063F	DIADK063P	DIA063N
65	7	DIA063E	DIA063F	DIADK063P	DIA063N

DK body O-Ring (DKU..)

O-ring for DK unionised bodies*

DN	Position	EPDM code	FKM code
15	9	OR4081E	OR4081F
20	9	OR4112E	OR4112F
25 - 32	9	OR4131E	OR4131F
40	9	OR6187E	OR6187F
50	9	OR6237E	OR6237F

* one piece

DK DN 15÷65

SPARE PARTS FOR MANUAL VALVES

SPARE PARTS FOR DIALOCK® DIAPHRAGM VALVE

DK body with ISO spigot ends (DKD..)

DK body with male ends for solvent welding, metric series

DN	Position	PVC-U code	PVC-C code	PP-H code	PVDF code
15	8	SPBDDK020DV	SPBDDK020DC	SPBDDK020DM	SPBDDK020DF
20	8	SPBDDK025DV	SPBDDK025DC	SPBDDK025DM	SPBDDK025DF
25	8	SPBDDK032DV	SPBDDK032DC	SPBDDK032DM	SPBDDK032DF
32	8	SPBDDK040DV	SPBDDK040DC	SPBDDK040DM	SPBDDK040DF
40	8	SPBDDK050DV	SPBDDK050DC	SPBDDK050DM	SPBDDK050DF
50	8	SPBDDK063DV	SPBDDK063DC	SPBDDK063DM	SPBDDK063DF
65	8	SPBDDK075DV	SPBDDK075DC	SPBDDK075DM	SPBDDK075DF

DK body with unionised ends (DKU..)

DK body with unionized ends

DN	Position	PVC-U code	PVC-C code	PP-H code	PVDF code
15	8	UNBDDK020V	UNBDDK020C	UNBDDK020M	UNBDDK020F
20	8	UNBDDK025V	UNBDDK025C	UNBDDK025M	UNBDDK025F
25	8	UNBDDK032V	UNBDDK032C	UNBDDK032M	UNBDDK032F
32	8	UNBDDK040V	UNBDDK040C	UNBDDK040M	UNBDDK040F
40	8	UNBDDK050V	UNBDDK050C	UNBDDK050M	UNBDDK050F
50	8	UNBDDK063V	UNBDDK063C	UNBDDK063M	UNBDDK063F

DK body with ISO-DIN flanged ends (DKO..)

DK body with monolithic structure, drilled PN10/16. Face to face according to EN 558-1

DN	Position	PVC-U code	PVC-C code	PP-H code	PVDF code
15	8	FLBDDK020OV	FLBDDK020OC	FLBDDK020OM	FLBDDK020OF
20	8	FLBDDK025OV	FLBDDK025OC	FLBDDK025OM	FLBDDK025OF
25	8	FLBDDK032OV	FLBDDK032OC	FLBDDK032OM	FLBDDK032OF
32	8	FLBDDK040OV	FLBDDK040OC	FLBDDK040OM	FLBDDK040OF
40	8	FLBDDK050OV	FLBDDK050OC	FLBDDK050OM	FLBDDK050OF
50	8	FLBDDK063OV	FLBDDK063OC	FLBDDK063OM	FLBDDK063OF

DK body with ANSI flanged ends (DKOA..)

DK body with monolithic structure, drilled ANSI B16.5 cl. 150 #FF

DN	Position	PVC-U code	PVC-C code	PP-H code	PVDF code
15	8	FLBDDK012OAV	FLBDDK012OAC	FLBDDK012OAM	FLBDDK012OAF
20	8	FLBDDK034OAV	FLBDDK034OAC	FLBDDK034OAM	FLBDDK034OAF
25	8	FLBDDK100OAV	FLBDDK100OAC	FLBDDK100OAM	FLBDDK100OAF
32	8	FLBDDK114OAV	FLBDDK114OAC	FLBDDK114OAM	FLBDDK114OAF
40	8	FLBDDK112OAV	FLBDDK112OAC	FLBDDK112OAM	FLBDDK112OAF
50	8	FLBDDK200OAV	FLBDDK200OAC	FLBDDK200OAM	FLBDDK200OAF

*For spare parts related to installation prior to october 2017 please contact FIP Technical Support

DK DN 15÷65

SPARE PARTS FOR MANUAL VALVES

SPARE PARTS FOR DIALOCK® DIAPHRAGM VALVE

Union nut

DK union nut for unionized bodies

DN	Pos*	PVC-U code	PVC-C code	PP-H code	PVDF code
15	11	EFV100	EFC100	EFGM100	EFGF100
20	11	EFV114	EFC114	EFGM114	EFGF114
25	11	EFV112	EFC112	EFGM112	EFGF112
32	11	EFV200	EFC200	EFGM200	EFGF200
40	11	EFV214	EFC214	EFGM214	EFGF214
50	11	EFV234	EFC234	EFGM234	EFGF234

*Position

Compressor

Compressor

DN	Position	Code
15	6	CODK020025
20	6	CODK020025
25	6	CODK032040
32	6	CODK032040
40	6	COVMMN040050
50	6	COVMMN063
65	6	COVMMN063

Handwheel

DK manual handwheel with compressor

DN	Position	Code
15	1 - 2 - 3 - 4 - 5 - 6	ATDKMN020025
20	1 - 2 - 3 - 4 - 5 - 6	ATDKMN020025
25	1 - 2 - 3 - 4 - 5 - 6	ATDKMN032040
32	1 - 2 - 3 - 4 - 5 - 6	ATDKMN032040
40	1 - 2 - 3 - 4 - 5 - 6	ATDKMN050
50	1 - 2 - 3 - 4 - 5 - 6	ATDKMN063075
65	1 - 2 - 3 - 4 - 5 - 6	ATDKMN063075

Transparent cap

DK transparent cap with seal O-Ring

DN	Position	Code
15	1 - 2 - 3	TCSDKMN020040
20	1 - 2 - 3	TCSDKMN020040
25	1 - 2 - 3	TCSDKMN020040
32	1 - 2 - 3	TCSDKMN020040
40	1 - 2 - 3	TCSDKMN050
50	1 - 2 - 3	TCSDKMN063075
65	1 - 2 - 3	TCSDKMN063075

DK DN 15÷65

SPARE PARTS FOR MANUAL VALVES

SPARE PARTS FOR DIALOCK® DIAPHRAGM VALVE

Fasteners

DK fasteners kit composed by stainless steel bolts, washers and protection caps

DN	Position	Code
15	12 - 13 - 14	BSDK020025X
20	12 - 13 - 14	BSDK020025X
25	12 - 13 - 14	BSDK032040X
32	12 - 13 - 14	BSDK032040X
40	12 - 13 - 14	BSDK050X
50	12 - 13 - 14	BSDK063075X
65	12 - 13 - 14	BSDK063075X

VM DN 80÷100

SPARE PARTS FOR MANUAL VALVES

SPARE PARTS FOR DIAPHRAGM VALVE



Diaphragm

Diaphragm

DN	Position	EPDM code	FKM code	PTFE code	NBR code
80	4	DIA090E	DIA090F	DIA090P	DIA090N
100	4	DIA110E	DIA110F	DIA110P	DIA110N

VM body with ISO spigot ends (VMD..)

VM body with ISO male ends for EPDM/FKM or PTFE diaphragms

d	Position	PVC-U code (EPDM/FKM)	PVC-C code (EPDM/FKM)	PP-H code (EPDM/FKM)	PVDF code (EPDM/FKM)
90	5	SPBDVM090DV	SPBDVM090DC	SPBDVM090DM	SPBDVM090DF
110	5	SPBDVM110DV	SPBDVM110DC	SPBDVM110DM	SPBDVM110DF

d	Position	PVC-U code (PTFE)	PVC-C code (PTFE)	PP-H code (PTFE)	PVDF code (PTFE)
90	5	SPBDVMP090DV	SPBDVMP090DC	SPBDVMP090DM	SPBDVMP090DF
110	5	SPBDVMP110DV	SPBDVMP110DC	SPBDVMP110DM	SPBDVMP110DF

VM DN 80÷100

SPARE PARTS FOR MANUAL VALVES

SPARE PARTS FOR DIAPHRAGM VALVE

Compressor

Compressor

DN	Position	Code
80	3	COVMMN075090
100	3	COVMMN110

Note: For valves supplied before April 2010, please contact FIP Technical Support

Handwheel

VM manual handwheel with compressor

DN	Position	Code
80	1 - 2 - 3	ATVMMN075090
100	1 - 2 - 3	ATVMMN110

Note: For valves supplied before April 2010, please contact FIP Technical Support

Fasteners

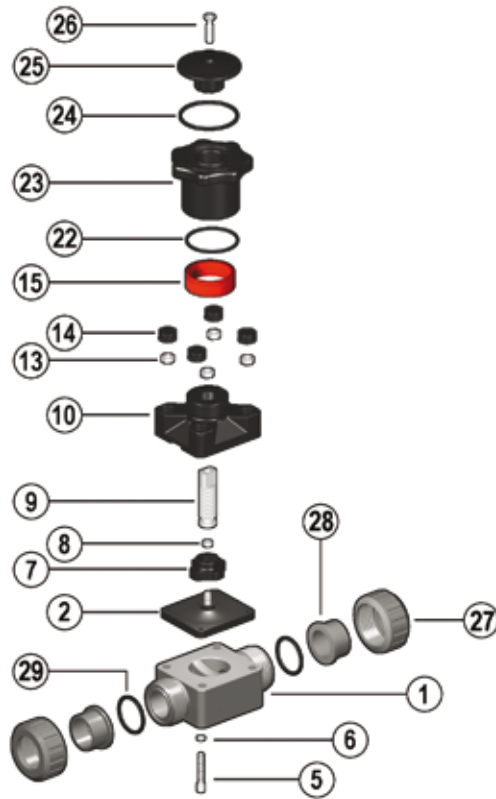
VM fasteners kit composed by bolts, washers and protection caps

DN	Position	STAINLESS STEEL code
80	6	BSVMMN075090X
100	6	BSVMMN110X

CM DN 12÷15

SPARE PARTS FOR MANUAL VALVES

SPARE PARTS FOR COMPACT DIAPHRAGM VALVE



Diaphragm

Diaphragm

DN	Position	EPDM code	FKM code	PTFE code
10 -15	2	DIACM020E	DIACM020F	DIACM020Q*

* For valves provided prior to January 2019 please order PTFE diaphragm: code DIACM020P

CM body O-Ring

CM O-ring for unionised bodies *

DN	Position	EPDM code	FKM code
15	29	OR4081E	OR4081F

* one piece

CM body with ISO spigot ends (CMD..)

CM body with ISO male ends for EPDM/FKM or PTFE diaphragms

d	Position	PVC-U code (EPDM/FKM)	PVC-C code (EPDM/FKM)	PP-H code (EPDM/FKM)	PVDF code (EPDM/FKM)
20	1	SPBDCM020DV	SPBDCM020DC	SPBDCM020DM	SPBDCM020DF

CM DN 12÷15

SPARE PARTS FOR MANUAL VALVES

SPARE PARTS FOR COMPACT DIAPHRAGM VALVE

d	Position	PVC-U code (PTFE)	PVC-C code (PTFE)	PP-H code (PTFE)	PVDF code (PTFE)
20	1	SPBDCMQ020DV*	SPBDCMQ020DC*	SPBDCMQ020DM*	SPBDCMQ020DF*

* For valves provided prior to January 2019 please order valves bodies:
 PVCU code SPBDCMP020DV
 PVC-C code SPBDCMP020DC
 PP-H code SPBDCMP020DM
 PVDF code SPBDCMP020DF

CM body with unionized ends (CMU.)

CM body with unionized ends for EPDM/FKM or PTFE diaphragms

DN	Position	PVC-U code (EPDM/FKM)	PVC-C code (EPDM/FKM)	PP-H code (EPDM/FKM)	PVDF code (EPDM/FKM)
15	1	UNBDCM020V	UNBDCM020C	UNBDCM020M	UNBDCM020F

DN	Position	PVC-U code (PTFE)	PVC-C code (PTFE)	PP-H code (PTFE)	PVDF code (PTFE)
15	1	UNBDCMQ020V*	UNBDCMQ020C*	UNBDCMQ020M*	UNBDCMQ020F*

* For valves provided prior to January 2019 please order valves bodies:
 PVCU code UNBDCMP020DV
 PVC-C code UNBDCMP020DC
 PP-H code UNBDCMP020DM
 PVDF code UNBDCMP020DF

CM body with ISO socket ends (CMI.)

CM body with ISO female ends for EPDM/FKM or PTFE diaphragms

d	Position	PVC-U code (EPDM/FKM)	PP-H code (EPDM/FKM)	PVDF code (EPDM/FKM)
16	1	SKBDCM016IV	SKBDCM016IM	SKBDCM016IF
20	1	SKBDCM020IV	SKBDCM020IM	SKBDCM020IF

d	Position	PVC-U code (PTFE)	PP-H code (PTFE)	PVDF (PTFE) code
16	1	SKBDCMQ016IV*	SKBDCMQ016IM*	SKBDCMQ016IF*
20	1	SKBDCMQ020IV*	SKBDCMQ020IM*	SKBDCMQ020IF*

* For valves provided prior to January 2019 please order valves bodies:
 PVCU code SKBDCMP016IV and SKBDCMP020IV
 PP-H code SKBDCMP016IM and SKBDCMP020IM
 PVDF code SKBDCMP016IF and SKBDCMP020IF

CM body with BSP threaded ends (CMF.)

CM body with BSP female threaded ends for EPDM/FKM or PTFE diaphragms

R	Position	PVC-U code (EPDM/FKM)	PP-H code (EPDM/FKM)	PVDF code (EPDM/FKM)
3/8"	1	TRBDCM038FV	TRBDCM038FM	TRBDCM038FF
1/2"	1	TRBDCM012FV	TRBDCM012FM	TRBDCM012FF

CM DN 12÷15

SPARE PARTS FOR MANUAL VALVES

SPARE PARTS FOR COMPACT DIAPHRAGM VALVE

R	Position	PVC-U code (PTFE)	PP-H code (PTFE)	PVDF code (PTFE)
3/8"	1	TRBDCMQ038FV*	TRBDCMQ038FM*	TRBDCMQ038FF*
1/2"	1	TRBDCMQ012FV*	TRBDCMQ012FM*	TRBDCMQ012FF*

* For valves provided prior to January 2019 please order valves bodies:
 PVCU code TRBDCMP038FV and TRBDCMP012FV
 PP-H code TRBDCMP038FM and TRBDCMP012FM
 PVDF code TRBDCMP038FF and TRBDCMP012FF

Union nut

CM union nut for unionized bodies

DN	*Pos	PVC-U code	PVC-C code	PP-H code	PVDF code
15	27	EFV100	EFC100	EFGM100	EFGF100

*Position

Handwheel

CM manual handwheel with compressor

DN	Position	Code
10 - 15	7 ÷ 26	ATCMMN

Fasteners

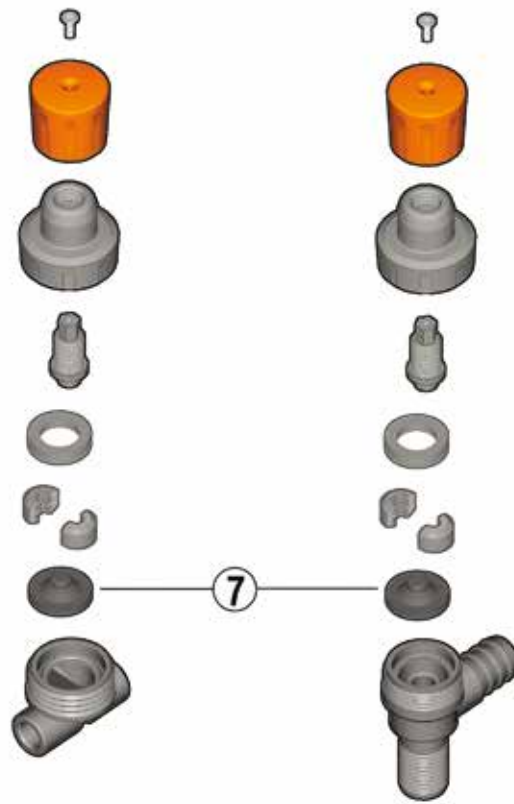
CM fasteners kit composed by bolts and washers

DN	Position	Code
10 - 15	5 - 6	BSCMX

VM/RM DN 8÷15

SPARE PARTS FOR MANUAL VALVES

SPARE PARTS FOR MINI-DIAPHRAGM VALVE AND DIAPHRAGM COCK VALVE



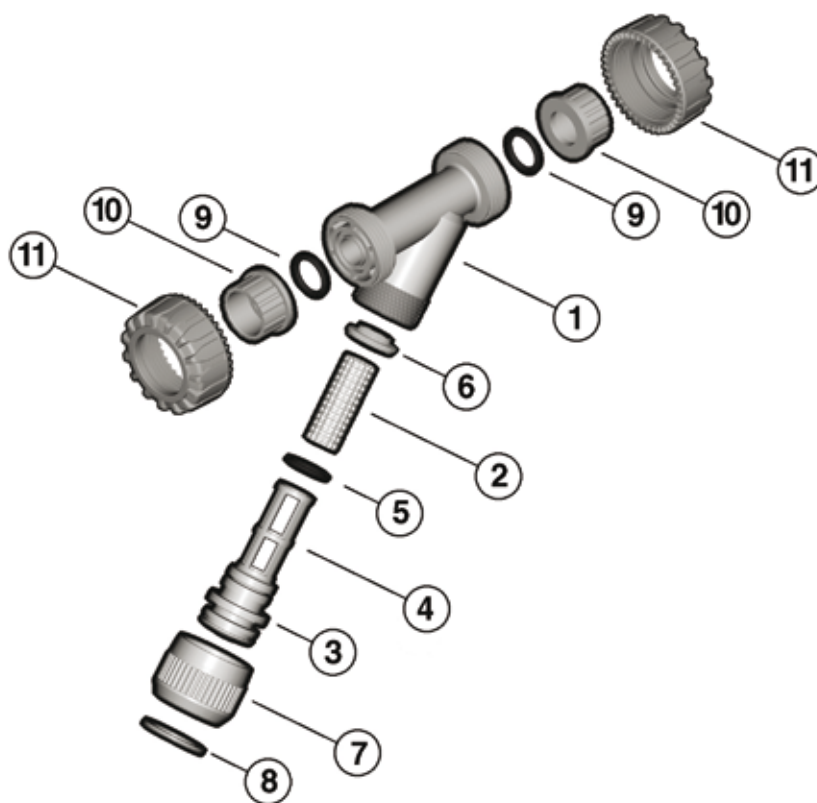
Diaphragm

VM-RM diaphragm

d	R	DN	Posizione	EPDM code
12	1/4"	8	7	DIARM020E
20	1/2"	15	7	DIARM020E

RV DN 10÷50 SPARE PARTS FOR MANUAL VALVES

SPARE PARTS FOR SEDIMENT STRAINER



Sealings set

Sealings set

d	Position	EPDM code	FKM code
10 - 15	5 - 9	SETRV020E	SETRV020F
20	5 - 9	SETRV025E	SETRV025F
25	5 - 9	SETRV032E	SETRV032F
32	5 - 9	SETRV040E	SETRV040F
40	5 - 9	SETRV050E	SETRV050F
50	5 - 9	SETRV063E	SETRV063F

RV screen

RV screen for installation on PVC-U and transparent PVC body valves

DN	Position	PVC-U code pitch 1 mm	PVC-U code pitch 1,5 mm*	PVC-U code pitch 2 mm	PVC-U code pitch 2,5 mm
10 - 15	2	SCR10V020	SCR15V020	SCR20V020	SCR25V020
20	2	SCR10V025	SCR15V025	SCR20V025	SCR25V025
25	2	SCR10V032	SCR15V032	SCR20V032	SCR25V032
32	2	SCR10V040	SCR15V040	SCR20V040	SCR25V040
40	2	SCR10V050	SCR15V050	SCR20V050	SCR25V050
50	2	SCR10V063	SCR15V063	SCR20V063	SCR25V063

* Standard on PVC-U and transparent PVC strainers

RV DN 10÷50

SPARE PARTS FOR MANUAL VALVES

SPARE PARTS FOR SEDIMENT STRAINER

RV screen for installation on PVC-C and PP-H body valves

DN	Position	PP code pitch 1,5 mm**	STAINLESS STEEL code pitch 0,7 mm
10 - 15	2	SCR15M020	SCR07X020
20	2	SCR15M025	SCR07X025
25	2	SCR15M032	SCR07X032
32	2	SCR15M040	SCR07X040
40	2	SCR15M050	SCR07X050
50	2	SCR15M063	SCR07X063

* Standard on PVC-U and transparent PVC strainers
** Standard on PVC-C and PP-H strainers

RV body with ISO spigot ends (RVD..)

RV body with ISO male ends

d	Position	PVC-U code	PVC clear code
16	1	SPBDRV016DV	SPBDRV016DT
20	1	SPBDRV020DV	SPBDRV020DT
25	1	SPBDRV025DV	SPBDRV025DT
32	1	SPBDRV032DV	SPBDRV032DT
40	1	SPBDRV040DV	SPBDRV040DT
50	1	SPBDRV050DV	SPBDRV050DT
63	1	SPBDRV063DV	SPBDRV063DT

RV body with unionized ends (RVU..)

RV body with unionized ends

DN	Posizioni	PVC-U code	PVC clear code	PVC-C code	PP-H code
10 - 15	1	UNBDRV020V	UNBDRV020T	UNBDRV020C	UNBDRV020M
20	1	UNBDRV025V	UNBDRV025T	UNBDRV025C	UNBDRV025M
25	1	UNBDRV032V	UNBDRV032T	UNBDRV032C	UNBDRV032M
32	1	UNBDRV040V	UNBDRV040T	UNBDRV040C	UNBDRV040M
40	1	UNBDRV050V	UNBDRV050T	UNBDRV050C	UNBDRV050M
50	1	UNBDRV063V	UNBDRV063T	UNBDRV063C	UNBDRV063M

Split ring

Split ring

DN	Position	Code
10 - 15	8	SRRV020V
20	8	SRRV025V
25	8	SRRV032V
32	8	SRRV040V
40	8	SRRV050V
50	8	SRRV063V

Screen support housing

Screen support housing

DN	Position	PVC-U code	PVC-C code	PP-H code
10 - 15	4	SURV020V	SURV020C	SURV020M
20	4	SURV025V	SURV025C	SURV025M
25	4	SURV032V	SURV032C	SURV032M
32	4	SURV040V	SURV040C	SURV040M
40	4	SURV050V	SURV050C	SURV050M
50	4	SURV063V	SURV063C	SURV063M

RV DN 10÷50

SPARE PARTS FOR MANUAL VALVES

SPARE PARTS FOR SEDIMENT STRAINER

Union nut

Union nut

DN	Position	to be used with:	PVC-U Code	PVC-C code	PP-H code
10÷15	11	VKD-VKR-TKD-SR-VV-VR-VA-VZ	NTVKD020V	NTVKD020C	NTVKD020M
20	11	VKD-VKR-TKD-SR-VV-VR-VA-VZ	NTVKD025V	NTVKD025C	NTVKD025M
25	11	VKD-VKR-TKD-SR-VV-VR-VA-VZ	NTVKD032V	NTVKD032C	NTVKD032M
32	11	VKD-VKR-TKD-SR-VV-VR-VA-VZ	NTVKD040V	NTVKD040C	NTVKD040M
40	11	VKD-VKR-TKD-SR-VV-VR-VA-VZ	NTVKD050V	NTVKD050C	NTVKD050M
50	11	VKD-VKR-TKD-SR-VV-VR-VA-VZ	NTVKD063V	NTVKD063C	NTVKD063M

Retaining ring

Retaining ring

DN	Position	PVC-U code	PVC-C code	PP-H code
10 - 15	6	RRRV020V	RRRV020C	RRRV020M
20	6	RRRV025V	RRRV025C	RRRV025M
25	6	RRRV032V	RRRV032C	RRRV032M
32	6	RRRV040V	RRRV040C	RRRV040M
40	6	RRRV050V	RRRV050C	RRRV050M
50	6	RRRV063V	RRRV063C	RRRV063M

Lock nut

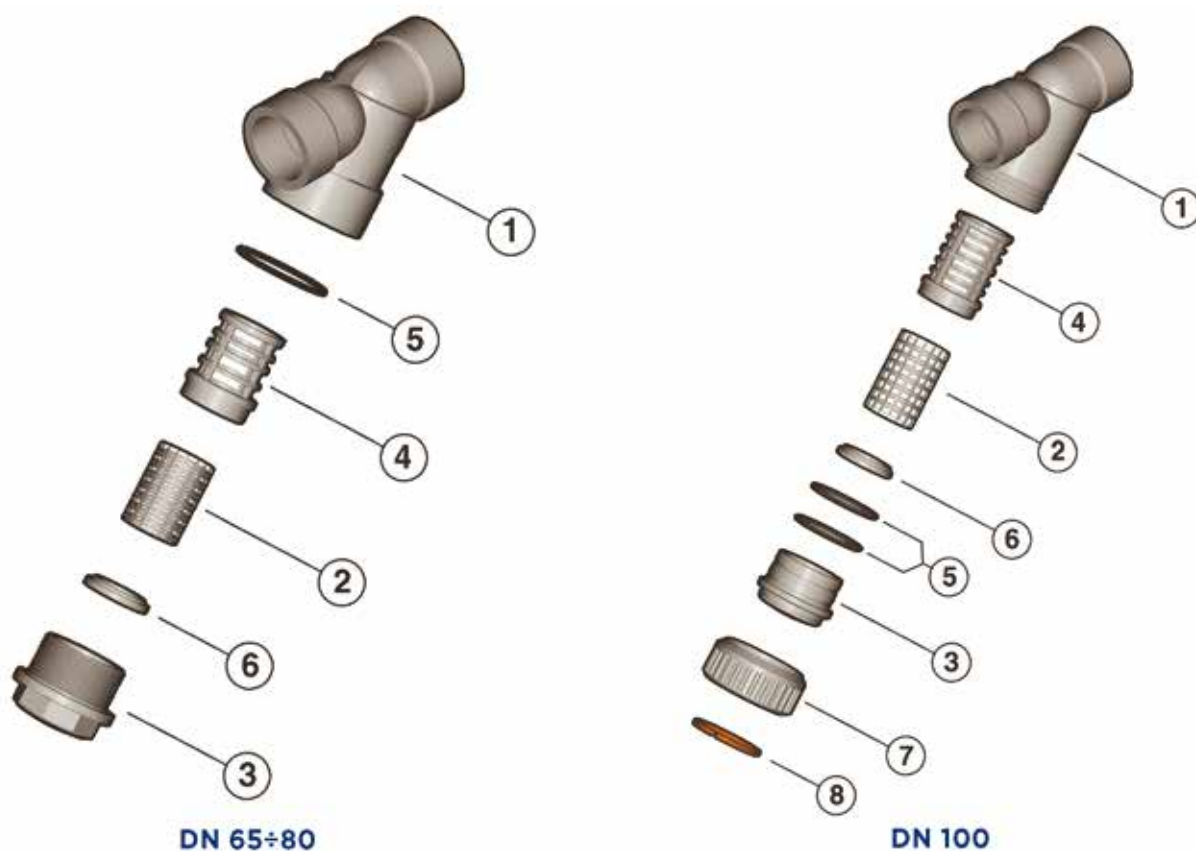
Lock nut

DN	Position	PVC-U code	PVC-C code	PP-H code
10 - 15	7	BNRV020V	BNRV020C	BNRV020M
20	7	BNRV025V	BNRV025C	BNRV025M
25	7	BNRV032V	BNRV032C	BNRV032M
32	7	BNRV040V	BNRV040C	BNRV040M
40	7	BNRV050V	BNRV050C	BNRV050M
50	7	BNRV063V	BNRV063C	BNRV063M

RV DN 65÷100

SPARE PARTS FOR MANUAL VALVES

SPARE PARTS FOR SEDIMENT STRAINER



Sealings set

Sealings set

DN	Position	EPDM code	FKM code
65	5	SETRV075E	SETRV075F
80	5	SETRV090E	SETRV090F
100	5	SETRV110E	SETRV110F

RV screen

RV screen for installation on PVC-U and transparent PVC body valves

DN	Position	PVC-U code pitch 1 mm	PVC-U code pitch 1,5 mm*	PVC-U code pitch 2 mm	PVC-U code pitch 2,5 mm
65	2	SCR10V075	SCR15V075	SCR20V075	SCR25V075
80	2	SCR10V090	SCR15V090	SCR20V090	SCR25V090
100	2	SCR10V110	SCR15V110	SCR20V110	SCR25V110

* Standard on PVC-U strainers

RV screen for installation on PVC-C and PP-H body valves

DN	Position	PP code pitch 1,5 mm**	STAINLESS STEEL code***
65	2	SCR15M075	SCR07X075
80	2	SCR15M090	SCR07X090
100	2	SCR15M110	SCR07X110

** Standard on PP-H strainers
***only for PVC-U strainers

RV DN 65÷100

SPARE PARTS FOR MANUAL VALVES

SPARE PARTS FOR SEDIMENT STRAINER

RV body with ISO socket ends (RVI..)

RV body with ISO female ends

d	Position	PVC-U code	PVC clear code	PP-H code
75	1	SKBDRV075IV	SKBDRV075IT	SKBDRV075IM
90	1	SKBDRV090IV	SKBDRV090IT	SKBDRV090IM
110	1	SKBDRV110IV	SKBDRV110IT	SKBDRV110IM

RV body with BSP threaded ends (RVF..)

RV body with BSP threaded ends

R	Position	PVC-U code	PVC clear code
2"1/2	1	TRBDRV212FV	TRBDRV212FT
3"	1	TRBDRV300FV	TRBDRV300FT
4"	1	TRBDRV400FV	TRBDRV400FT

Lock nut

Lock nut

DN	Position	PVC-U code	PP-H code
100	7	BNRV110V	BNRV110M

Split ring

Split ring

DN	Position	Code
100	8	SRRV110V

Retaining ring

Retaining ring

DN	Position	PVC-U code	PP-H code
65	6	RRRV075V	RRRV075M
80	6	RRRV090V	RRRV090M
100	6	RRRV110V	RRRV110M

Bonnet

Bonnet

DN	Position	PVC-U code	PP-H code
65	3	BORV075V	BORV075M
80	3	BORV090V	BORV090M
100	3	BORV110V	BORV110M

Screen support housing

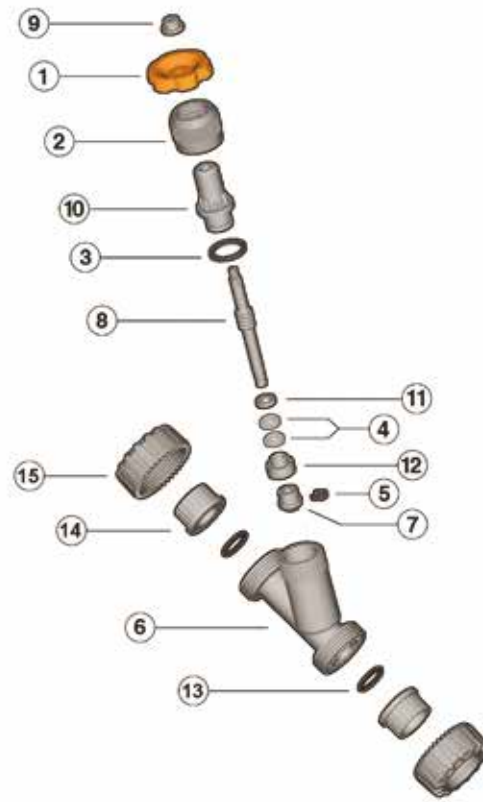
Screen support housing

DN	Position	PVC-U code	PP-H code
65	4	SURV075V	SURV075M
80	4	SURV090V	SURV090M
100	4	SURV110V	SURV110M

VV DN 10÷50

SPARE PARTS FOR MANUAL VALVES

SPARE PARTS FOR ANGLE SEAT VALVE



Sealing set

Sealing set

DN	Posizioni	EPDM/PE code	FKM/PTFE code	EPDM/PTFE code
10 - 15	3 - 4 - 13	SETVV020EE	SETVV020FP	SETVV020EP
20	3 - 4 - 13	SETVV025EE	SETVV025FP	SETVV025EP
25	3 - 4 - 13	SETVV032EE	SETVV032FP	SETVV032EP
32	3 - 4 - 13	SETVV040EE	SETVV040FP	SETVV040EP
40	3 - 4 - 13	SETVV050EE	SETVV050FP	SETVV050EP
50	3 - 4 - 13	SETVV063EE	SETVV063FP	SETVV063EP

VV body with ISO spigot ends (VVDV)

VV body with ISO male ends

d	Position	Code
16	6	SPBDRV016DV
20	6	SPBDRV020DV
25	6	SPBDRV025DV
32	6	SPBDRV032DV
40	6	SPBDRV040DV
50	6	SPBDRV050DV
63	6	SPBDRV063DV

VV DN 10÷50

SPARE PARTS FOR MANUAL VALVES

SPARE PARTS FOR ANGLE SEAT VALVE

VV body with unionized ends (VVU..)

VV body with unionized ends

DN	Position	Code
10 - 15	6	UNBDRV020V
20	6	UNBDRV025V
25	6	UNBDRV032V
32	6	UNBDRV040V
40	6	UNBDRV050V
50	6	UNBDRV063V

Handwheel

Handwheel

DN	Position	Code
10 - 15	1 - 9	HVVV020
20	1 - 9	HVVV025
25	1 - 9	HVVV032
32	1 - 9	HVVV040
40	1 - 9	HVVV050
50	1 - 9	HVVV063

Union nut

Union nut

DN	Pos	to be used with:	Code
10÷15	15	VKD-VKR-TKD-SR-VV-VR-VA-VZ	NTVKD020V
20	15	VKD-VKR-TKD-SR-VV-VR-VA-VZ	NTVKD025V
25	15	VKD-VKR-TKD-SR-VV-VR-VA-VZ	NTVKD032V
32	15	VKD-VKR-TKD-SR-VV-VR-VA-VZ	NTVKD040V
40	15	VKD-VKR-TKD-SR-VV-VR-VA-VZ	NTVKD050V
50	15	VKD-VKR-TKD-SR-VV-VR-VA-VZ	NTVKD063V

Lock nut

Lock nut

DN	Position	Code
10 - 15	2	BNRV020V
20	2	BNRV025V
25	2	BNRV032V
32	2	BNRV040V
40	2	BNRV050V
50	2	BNRV063V

Stem

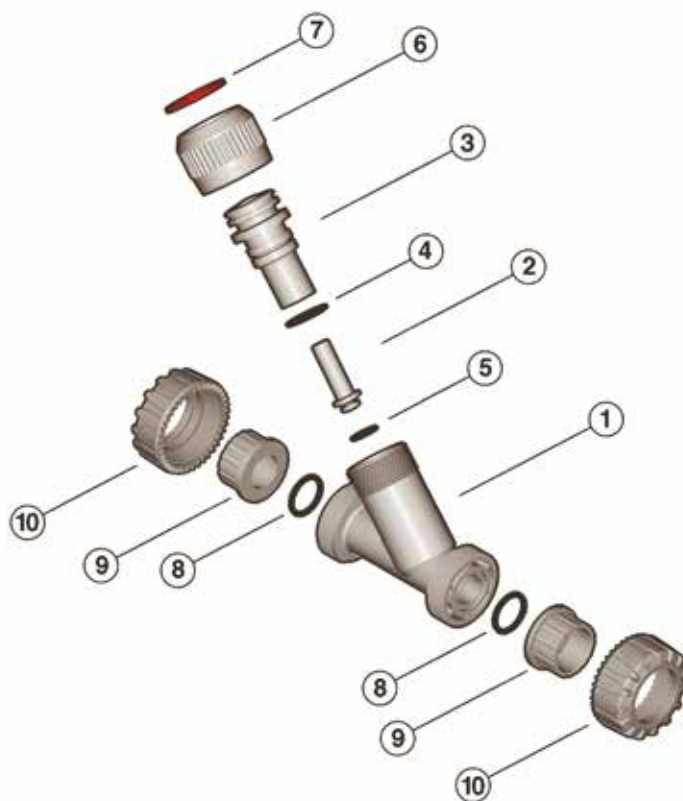
Pre-assembled stem

DN	Position	Code
10 - 15	5 - 7 - 8 - 10 - 11 - 12	ASVV020V
20	5 - 7 - 8 - 10 - 11 - 12	ASVV025V
25	5 - 7 - 8 - 10 - 11 - 12	ASVV032V
32	5 - 7 - 8 - 10 - 11 - 12	ASVV040V
40	5 - 7 - 8 - 10 - 11 - 12	ASVV050V
50	5 - 7 - 8 - 10 - 11 - 12	ASVV063V

VR DN 15÷50

SPARE PARTS FOR MANUAL VALVES

SPARE PARTS FOR CHECK VALVE



Sealing set

Sealing set

DN	Position	EPDM code	FKM code
10 - 15	4 - 5 - 8	SETVR020E	SETVR020F
20	4 - 5 - 8	SETVR025E	SETVR025F
25	4 - 5 - 8	SETVR032E	SETVR032F
32	4 - 5 - 8	SETVR040E	SETVR040F
40	4 - 5 - 8	SETVR050E	SETVR050F
50	4 - 5 - 8	SETVR063E	SETVR063F

VR body with ISO socket ends (VRDV)

VR body with ISO socket ends

d	Position	Code
16	1	SPBDRV016DV
20	1	SPBDRV020DV
25	1	SPBDRV025DV
32	1	SPBDRV032DV
40	1	SPBDRV040DV
50	1	SPBDRV050DV
63	1	SPBDRV063DV

VR DN 15÷50

SPARE PARTS FOR MANUAL VALVES

SPARE PARTS FOR CHECK VALVE

VR body with unionized ends (VRU..)

VR body with unionized ends

DN	Posizioni	PVC-U code	PP-H code
10 - 15	1	UNBDRV020V	UNBDRV020M
20	1	UNBDRV025V	UNBDRV025M
25	1	UNBDRV032V	UNBDRV032M
32	1	UNBDRV040V	UNBDRV040M
40	1	UNBDRV050V	UNBDRV050M
50	1	UNBDRV063V	UNBDRV063M

Union nut

Union nut

DN	*Pos	to be used with:	PVC-U code	PP-H code
10÷15	13	VKD-VKR-TKD-SR-VV-VR-VA-VZ	NTVKD020V	NTVKD020M
20	13	VKD-VKR-TKD-SR-VV-VR-VA-VZ	NTVKD025V	NTVKD025M
25	13	VKD-VKR-TKD-SR-VV-VR-VA-VZ	NTVKD032V	NTVKD032M
32	13	VKD-VKR-TKD-SR-VV-VR-VA-VZ	NTVKD040V	NTVKD040M
40	13	VKD-VKR-TKD-SR-VV-VR-VA-VZ	NTVKD050V	NTVKD050M
50	13	VKD-VKR-TKD-SR-VV-VR-VA-VZ	NTVKD063V	NTVKD063M

*Position

Piston

Pre-assembled piston with flat gasket

DN	Position	PVC-U code EPDM	PVC-U code FKM	PP-H code EPDM	PP-H code FKM
10 - 15	2 - 5	PSVR020VE	PSVR020VF	PSVR020ME	PSVR020MF
20	2 - 5	PSVR025VE	PSVR025VF	PSVR025ME	PSVR025MF
25	2 - 5	PSVR032VE	PSVR032VF	PSVR032ME	PSVR032MF
32	2 - 5	PSVR040VE	PSVR040VF	PSVR040ME	PSVR040MF
40	2 - 5	PSVR050VE	PSVR050VF	PSVR050ME	PSVR050MF
50	2 - 5	PSVR063VE	PSVR063VF	PSVR063ME	PSVR063MF

VR split ring

VR split ring

DN	Position	Code
10 - 15	7	SRRV020V
20	7	SRRV025V
25	7	SRRV032V
32	7	SRRV040V
40	7	SRRV050V
50	7	SRRV063V

Bonnet

Bonnet

DN	Position	PVC-U code	PP-H code
10 - 15	3	BOVR020V	BOVR020M
20	3	BOVR025V	BOVR025M
25	3	BOVR032V	BOVR032M
32	3	BOVR040V	BOVR040M
40	3	BOVR050V	BOVR050M
50	3	BOVR063V	BOVR063M

VR DN 15÷50

SPARE PARTS FOR MANUAL VALVES

SPARE PARTS FOR CHECK VALVE

Lock nut

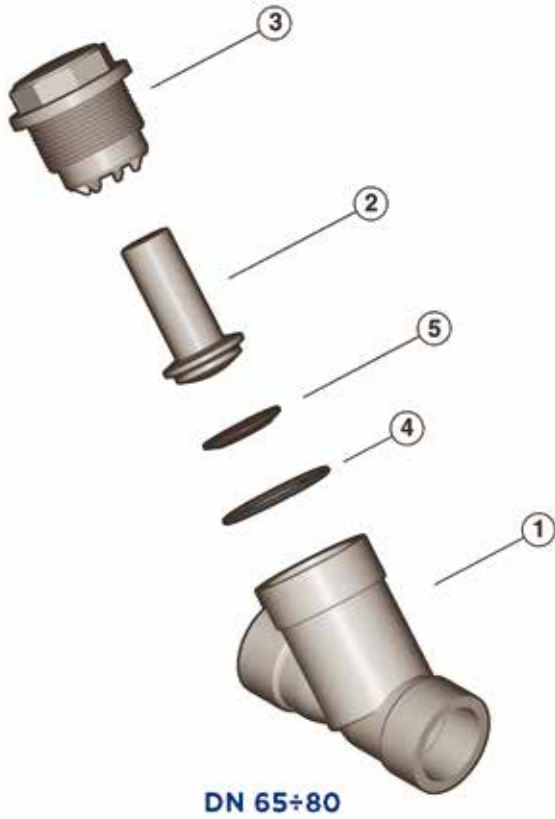
Lock nut

DN	Position	PVC-U code	PP-H code
10 - 15	6	BNRV020V	BNRV020M
20	6	BNRV025V	BNRV025M
25	6	BNRV032V	BNRV032M
32	6	BNRV040V	BNRV040M
40	6	BNRV050V	BNRV050M
50	6	BNRV063V	BNRV063M

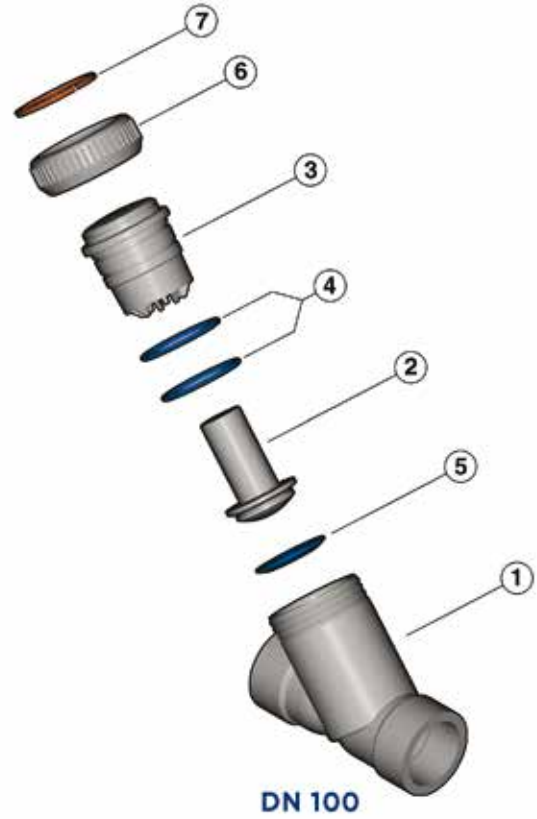
VR DN 65÷100

SPARE PARTS FOR MANUAL VALVES

SPARE PARTS FOR CHECK VALVE



DN 65÷80



DN 100

Sealing set

Sealing set

DN	Position	EPDM code	FKM code
65	4 - 5	SETVR075E	SETVR075F
80	4 - 5	SETVR090E	SETVR090F
100	4 - 5	SETVR110E	SETVR110F

VR body with ISO socket ends (VRI..)

VR body with ISO socket ends

d	Position	PVC-U code	PP-H code
75	1	SKBDVR075IV	SKBDVR075IM
90	1	SKBDVR090IV	SKBDVR090IM
110	1	SKBDVR110IV	-

VR body with BSP threaded ends (VRFV)

VR body with BSP female threaded ends

R	Position	Code
2"1/2	1	TRBDVR212FV
3"	1	TRBDVR300FV
4"	1	TRBDVR400FV

VR DN 65÷100

SPARE PARTS FOR MANUAL VALVES

SPARE PARTS FOR CHECK VALVE

Piston

Pre-assembled piston with flat gasket

DN	Position	PVC-U code EPDM	PVC-U code FKM	PP-H code EPDM	PP-H code FKM
65	2 - 5	PSVR075VE	PSVR075VF	PSVR075ME	PSVR075MF
80	2 - 5	PSVR090VE	PSVR090VF	PSVR090ME	PSVR090MF
100	2 - 5	PSVR110VE	PSVR110VF	-	-

VR split ring

VR split ring

DN	Position	Code
100	7	SRRV110V

Bonnet

Bonnet

d	Position	PVC-U code	PP-H code
75	3	BOVR075V	BOVR075M
90	3	BOVR090V	BOVR090M
110	3	BOVR110V	-

Lock nut

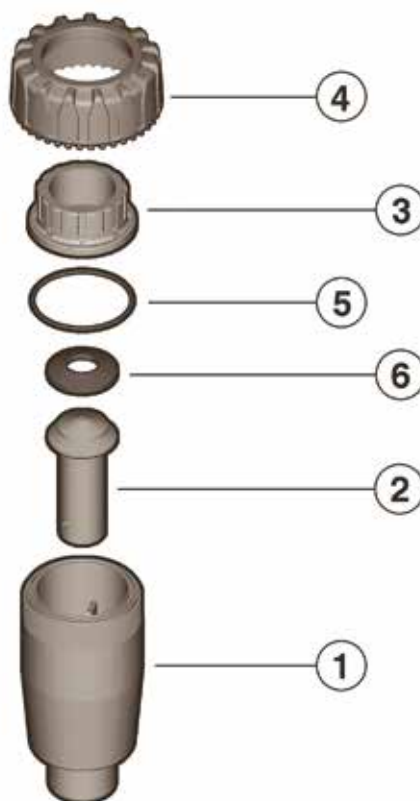
Lock nut

DN	Position	Code
100	6	BNRV110V

VA DN 15÷50

SPARE PARTS FOR MANUAL VALVES

SPARE PARTS FOR AIR RELEASE VALVE



Sealing set

Sealing set

DN	Position	To be used with:	Code
10 - 15	5 - 6	VA-VZ	SETVZA020E
20	5 - 6	VA-VZ	SETVZA025E
25	5 - 6	VA-VZ	SETVZA032E
32	5 - 6	VA-VZ	SETVZA040E
40	5 - 6	VA-VZ	SETVZA050E
50	5 - 6	VA-VZ	SETVZA063E

Piston

Pre-assembled piston with flat gasket

DN	Position	Code
10 - 15	2 - 6	PSVA020VE
20	2 - 6	PSVA025VE
25	2 - 6	PSVA032VE
32	2 - 6	PSVA040VE
40	2 - 6	PSVA050VE
50	2 - 6	PSVA063VE

VA DN 15÷50

SPARE PARTS FOR MANUAL VALVES

SPARE PARTS FOR AIR RELEASE VALVE

Union nut

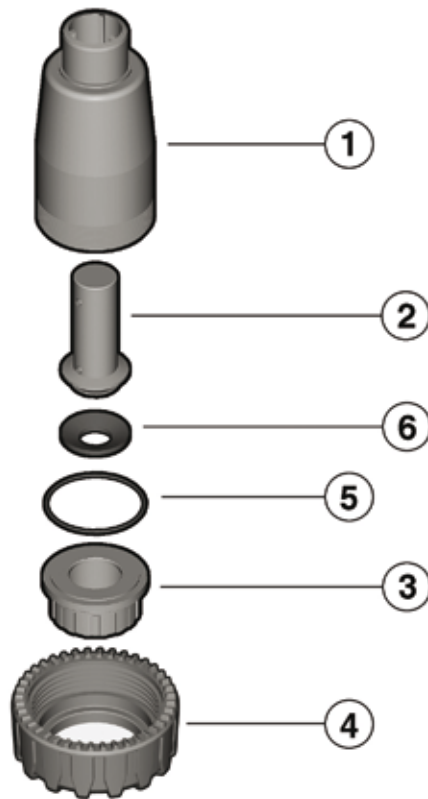
Union nut

DN	Position	to be used with:	Code
10÷15	4	VKD-VKR-TKD-SR-VV-VR-VA-VZ	NTVKD020V
20	4	VKD-VKR-TKD-SR-VV-VR-VA-VZ	NTVKD025V
25	4	VKD-VKR-TKD-SR-VV-VR-VA-VZ	NTVKD032V
32	4	VKD-VKR-TKD-SR-VV-VR-VA-VZ	NTVKD040V
40	4	VKD-VKR-TKD-SR-VV-VR-VA-VZ	NTVKD050V
50	4	VKD-VKR-TKD-SR-VV-VR-VA-VZ	NTVKD063V

VZ DN 10÷50

SPARE PARTS FOR MANUAL VALVES

SPARE PARTS FOR FOOT VALVE



Sealing set

Sealing set

DN	Position	To be used with:	Code
10 - 15	5 - 6	VA-VZ	SETVZA020E
20	5 - 6	VA-VZ	SETVZA025E
25	5 - 6	VA-VZ	SETVZA032E
32	5 - 6	VA-VZ	SETVZA040E
40	5 - 6	VA-VZ	SETVZA050E
50	5 - 6	VA-VZ	SETVZA063E

Piston

Pre-assembled piston with flat gasket

DN	Position	Code
10 - 15	2 - 6	PSVR020VE
20	2 - 6	PSVR025VE
25	2 - 6	PSVR032VE
32	2 - 6	PSVR040VE
40	2 - 6	PSVR050VE
50	2 - 6	PSVR063VE

VZ DN 10÷50

SPARE PARTS FOR MANUAL VALVES

SPARE PARTS FOR FOOT VALVE

Union nut

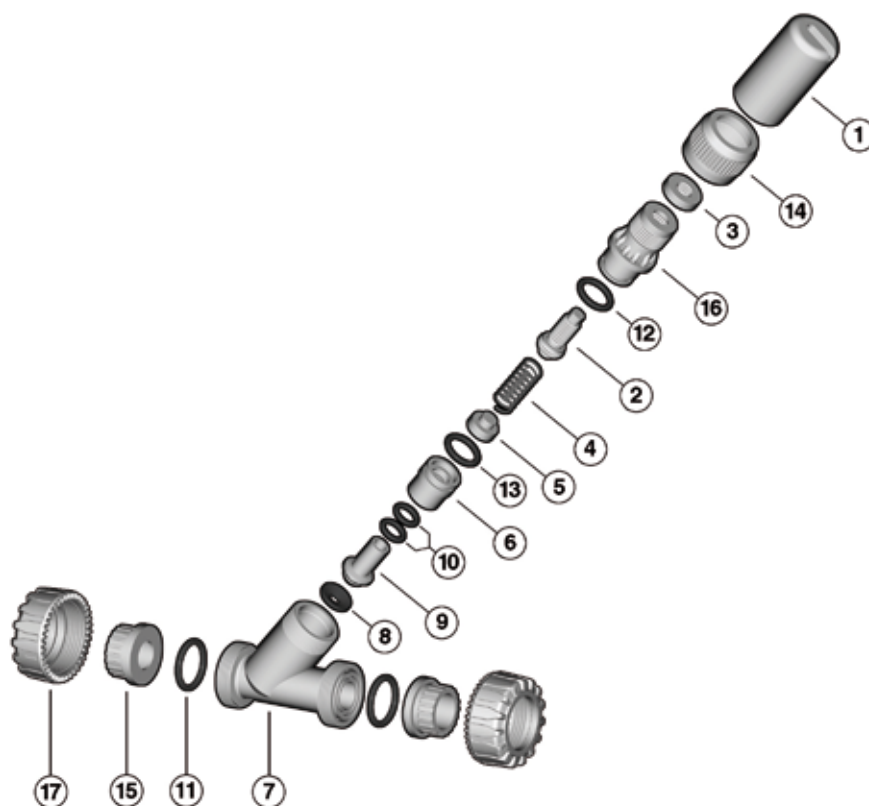
Union nut

DN	Position	to be used with:	Code
10÷15	4	VKD-VKR-TKD-SR-VV-VR-VA-VZ	NTVKD020V
20	4	VKD-VKR-TKD-SR-VV-VR-VA-VZ	NTVKD025V
25	4	VKD-VKR-TKD-SR-VV-VR-VA-VZ	NTVKD032V
32	4	VKD-VKR-TKD-SR-VV-VR-VA-VZ	NTVKD040V
40	4	VKD-VKR-TKD-SR-VV-VR-VA-VZ	NTVKD050V
50	4	VKD-VKR-TKD-SR-VV-VR-VA-VZ	NTVKD063V

SV DN 15÷25

SPARE PARTS FOR ACTUATED VALVES

SPARE PARTS FOR ANGLE SEAT VALVES



Sealings Set

Sealings Set

DN	Position	EPDM code	FKM code
10 ÷ 15	8 - 10 - 11 - 12 - 13	SETSV020E	SETSV020F
20	8 - 10 - 11 - 12 - 13	SETSV025E	SETSV025F
25	8 - 10 - 11 - 12 - 13	SETSV032E	SETSV032F

SV body with ISO spigot ends (SVDV)

SV body with ISO spigot ends

DN	Position	PVC-U code
10	8 - 10 - 11 - 12 - 13	SPBDRV016DV
15	8 - 10 - 11 - 12 - 13	SPBDRV020DV
20	8 - 10 - 11 - 12 - 13	SPBDRV025DV
25	8 - 10 - 11 - 12 - 13	SPBDRV025DV

SV body with unionized ends (SVU..)

SV body with unionized ends

DN	Position	PVC-U code
10 ÷ 15	7	UNBDRV020V
20	7	UNBDRV025V
25	7	UNBDRV032V

SV DN 15÷25

SPARE PARTS FOR ACTUATED VALVES

SPARE PARTS FOR ANGLE SEAT VALVES

Union nut

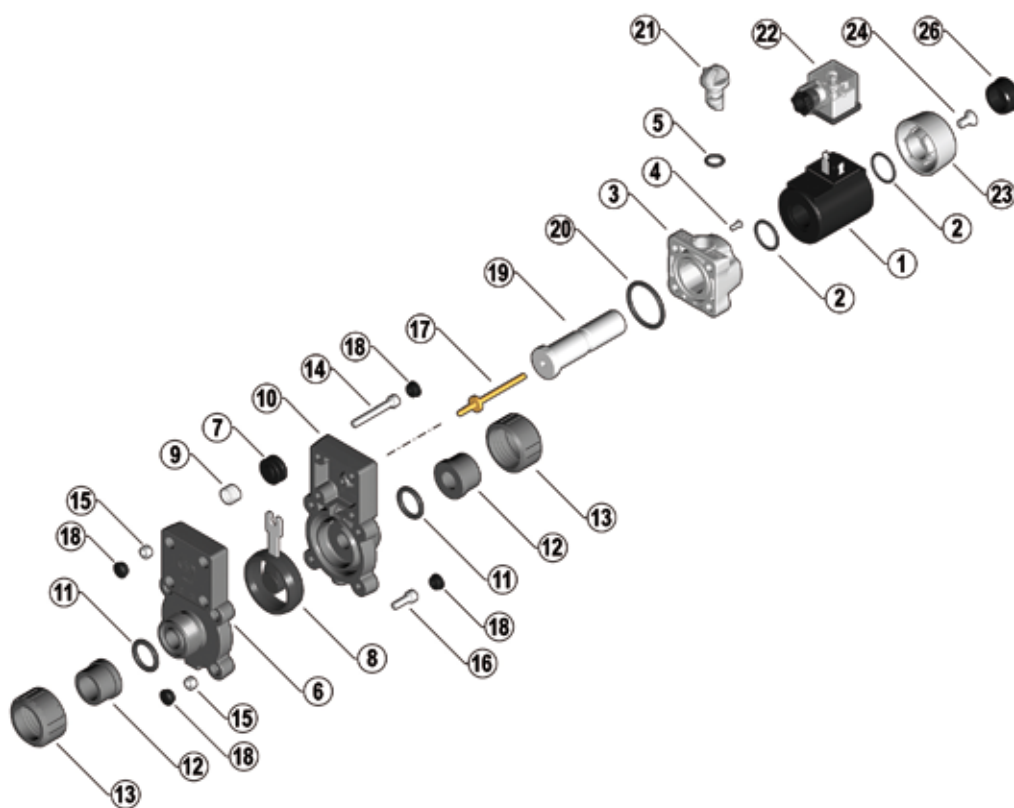
Union nut

DN	Position	PVC-U code
10 ÷ 15	17	NTVKD020V
20	17	NTVKD025V
25	17	NTVKD032V

S1-S2 DN 4÷15

SPARE PARTS FOR ACTUATED VALVES

SPARE PARTS FOR SOLENOID VALVES S1 AND S2 SERIES



Coil

Coil

Voltage	Position	S1 valves code	S2 valves code
24 V DC	1	SLS1024VDC	SLS2024VDC
24 V AC	1	SLS1024VAC	SLS2024VAC
*110 V AC	1	SLS1110VAC	SLS2110VAC
230 V AC	1	SLS1230VAC	SLS2230VAC

* Available on request

Connector

Connector for S1-S2 valves

Voltage	Position	Code
24 V DC	22	CNS024VDC
24 V AC	22	CNS024VAC
*110 V AC	22	CNS110VAC
230 V AC	22	CNS230VAC

* Available on request

Set secondary sealings

Set secondary sealings

Valvola	Position	Code
S1	2 - 5 - 20	SETS1
S2	2 - 5 - 20	SETS2

S1-S2 DN 4÷15

SPARE PARTS FOR ACTUATED VALVES

SPARE PARTS FOR SOLENOID VALVES S1 AND S2 SERIES

Shutter

Shutter

Valve	Position	EPDM code	FKM code
S1	8	SHS1E	SHS1F
S2	8	SHS2E	SHS2F

O-ring

O-ring*

Valve	Position	EPDM code	FKM code
S1	11	OR3062E	OR3062F
S2	11	OR4081E	OR4081F

*one piece

Nut

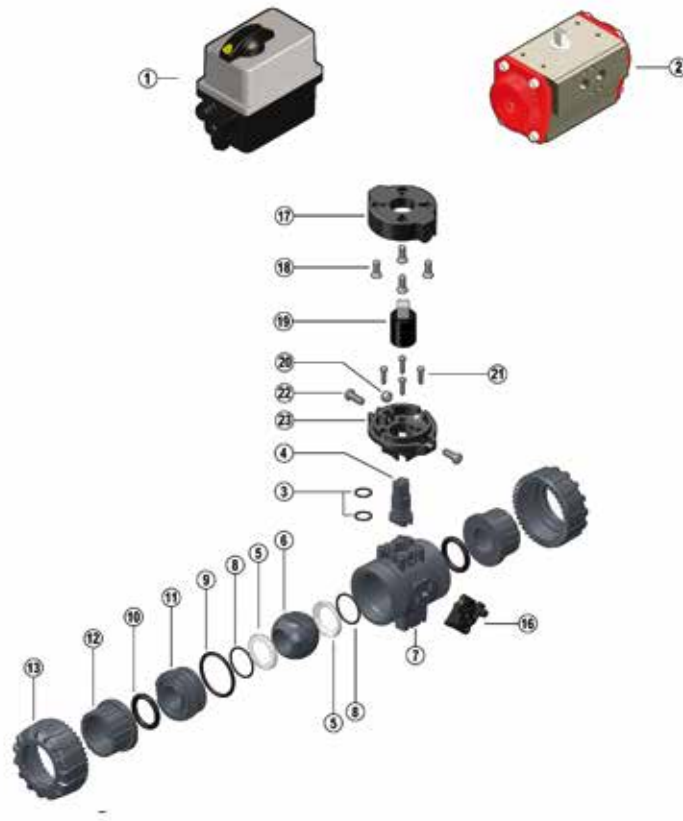
Nut*

Valve	Position	Code
S1	13	EFV034
S2	13	EFV100

*one piece

VKD/CP AND VKD/CE DN 10÷50 SPARE PARTS FOR ACTUATED VALVES

SPARE PARTS FOR ACTUATED 2-WAY BALL VALVES DUAL BLOCK®



Pneumatic Actuator

Pneumatic Actuator Single Acting (NC-NO) or Double Acting (DA)

DN	Position	Single Acting Code	Double Acting Code
10 ÷ 15	2	AT01SA06	AT01DA
20 ÷ 25	2	AT02SA10	AT02DA
32 ÷ 40	2	AT03SA06	AT03DA
50	2	AT03SA10	AT03DA

Sealings Set Pneumatic Actuator

Sealings Set in NBR for Pneumatic Actuator

DN	NBR code
10 ÷ 15	SETAT01N
20 ÷ 25	SETAT02N
32 ÷ 50	SETAT03N

Electric Actuator

Electric Actuator ON/OFF function voltage 90 ÷ 240 V AC or 24 V AC/DC

DN	Position	90 ÷ 240 V AC code	24 V AC/DC code
10 ÷ 50	1	ME020M	ME020L

VKD/CP AND VKD/CE DN 10÷50

SPARE PARTS FOR ACTUATED VALVES

SPARE PARTS FOR ACTUATED 2-WAY BALL VALVES DUAL BLOCK®

Sealings Set

Sealings Set

DN	Position	To be used with:	EPDM code	FKM code
10 ÷ 15	3-5-8-9-10	VKD-VKR	SETVKD020E	SETVKD020F
20	3-5-8-9-10	VKD-VKR	SETVKD025E	SETVKD025F
25	3-5-8-9-10	VKD-VKR	SETVKD032E	SETVKD032F
32	3-5-8-9-10	VKD-VKR	SETVKD040E	SETVKD040F
40	3-5-8-9-10	VKD-VKR	SETVKD050E	SETVKD050F
50	3-5-8-9-10	VKD-VKR	SETVKD063E	SETVKD063F

Stem

Stem

DN	Pos.*	To be used with:	PVC-U code	PVC-C code	PP-H code	PVDF code
10 ÷ 15	4	VKD-VKR-TKD	STVKD020V	STVKD020C	STVKD020M	STVKD020F
20	4	VKD-VKR-TKD	STVKD025V	STVKD025C	STVKD025M	STVKD025F
25	4	VKD-VKR-TKD	STVKD032V	STVKD032C	STVKD032M	STVKD032F
32	4	VKD-VKR-TKD	STVKD040V	STVKD040C	STVKD040M	STVKD040F
40	4	VKD-VKR-TKD	STVKD050V	STVKD050C	STVKD050M	STVKD050F
50	4	VKD-VKR-TKD	STVKD063V	STVKD063C	STVKD063M	STVKD063F

*Position

Ball

Ball

DN	Position	To be used with:	PVC-U code	PVC-C code	PP-H code	PVDF code
10 ÷ 15	6	VKD	BLVKD020V	BLVKD020C	BLVKD020M	BLVKD020F
20	6	VKD	BLVKD025V	BLVKD025C	BLVKD025M	BLVKD025F
25	6	VKD	BLVKD032V	BLVKD032C	BLVKD032M	BLVKD032F
32	6	VKD	BLVKD040V	BLVKD040C	BLVKD040M	BLVKD040F
40	6	VKD	BLVKD050V	BLVKD050C	BLVKD050M	BLVKD050F
50	6	VKD	BLVKD063V	BLVKD063C	BLVKD063M	BLVKD063F

Carrier

Ball seat carrier

DN	Position	To be used with:	PVC-U code	PVC-C code	PP-H code	PVDF code
10 ÷ 15	11	VKD-VKR	SEVKD020V	SEVKD020C	SEVKD020M	SEVKD020F
20	11	VKD-VKR	SEVKD025V	SEVKD025C	SEVKD025M	SEVKD025F
25	11	VKD-VKR	SEVKD032V	SEVKD032C	SEVKD032M	SEVKD032F
32	11	VKD-VKR	SEVKD040V	SEVKD040C	SEVKD040M	SEVKD040F
40	11	VKD-VKR	SEVKD050V	SEVKD050C	SEVKD050M	SEVKD050F
50	11	VKD-VKR	SEVKD063V	SEVKD063C	SEVKD063M	SEVKD063F

VKD/CP AND VKD/CE DN 10÷50 SPARE PARTS FOR ACTUATED VALVES

SPARE PARTS FOR ACTUATED 2-WAY BALL VALVES DUAL BLOCK®

Union nut

Union nut

DN	Pos.*	To be used with:	PVC-U code	PVC-C code	PP-H code	PVDF code
10 ÷ 15	13	VKD-VKR-TKD-SR-VV-VR-VA-VZ	NTVKD020V	NTVKD020C	NTVKD020M	NTVKD020F
20	13	VKD-VKR-TKD-SR-VV-VR-VA-VZ	NTVKD025V	NTVKD025C	NTVKD025M	NTVKD025F
25	13	VKD-VKR-TKD-SR-VV-VR-VA-VZ	NTVKD032V	NTVKD032C	NTVKD032M	NTVKD032F
32	13	VKD-VKR-TKD-SR-VV-VR-VA-VZ	NTVKD040V	NTVKD040C	NTVKD040M	NTVKD040F
40	13	VKD-VKR-TKD-SR-VV-VR-VA-VZ	NTVKD050V	NTVKD050C	NTVKD050M	NTVKD050F
50	13	VKD-VKR-TKD-SR-VV-VR-VA-VZ	NTVKD063V	NTVKD063C	NTVKD063M	NTVKD063F

*Position

DUAL BLOCK® kit

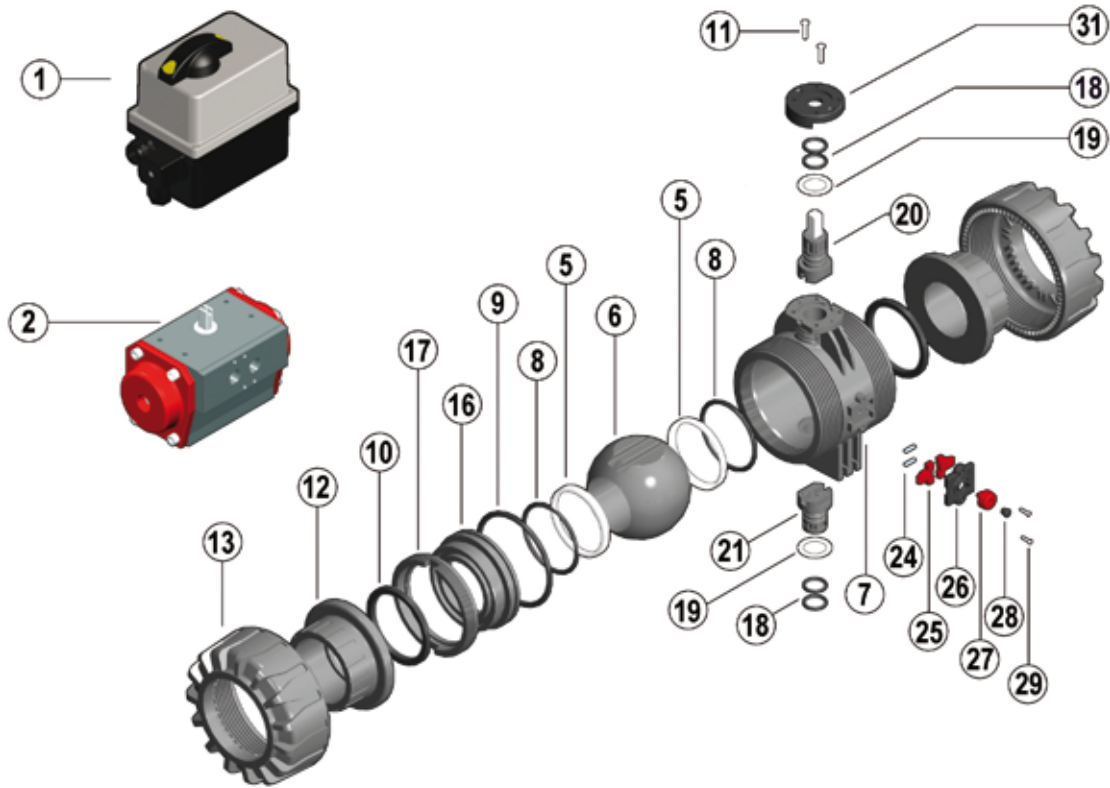
DUAL BLOCK® kit

DN	Position	To be used with:	Code
10 ÷ 20	16	VKD-VKR	DBVKD020025
25	16	VKD-VKR	DBVKD032
32 ÷ 40	16	VKD-VKR	DBVKD040050
50	16	VKD-VKR	DBVKD063

VKD/CP AND VKD/CE DN 65÷100

SPARE PARTS FOR ACTUATED VALVES

SPARE PARTS FOR ACTUATED 2-WAY BALL VALVES DUAL BLOCK®



Pneumatic Actuator

Pneumatic Actuator Single Acting (NC-NO) or Double Acting (DA)

DN	Position	Single Acting Code	Double Acting Code
65	2	AT04SA10	AT03DA
80	2	AT05SA10	AT04DA
100	2	AT06SA10	AT05DA

Sealings Set Pneumatic Actuator

Sealings Set in NBR for Pneumatic Actuator

DN	NBR Single Acting Code	NBR Double Acting Code
65	SETAT04N	SETAT03N
80	SETAT05N	SETAT04N
100	SETAT06N	SETAT05N

Electric Actuator

Electric Actuator ON/OFF function voltage 90 ÷ 240 V AC or 24 V AC/DC

DN	Position	90 ÷ 240 V AC code	24 V AC/DC code
65 ÷ 80	1	ME060M	ME060L
100	1	ME100M	ME100L

12V DC on request

VKD/CP AND VKD/CE DN 65÷100

SPARE PARTS FOR ACTUATED VALVES

SPARE PARTS FOR ACTUATED 2-WAY BALL VALVES DUAL BLOCK®

Sealings Set

Sealings Set

DN	Position	EPDM code	FKM code
65	5-8-9-10-18-19	SETVKD075E	SETVKD075F
80	5-8-9-10-18-19	SETVKD090E	SETVKD090F
100	5-8-9-10-18-19	SETVKD110E	SETVKD110F

Upper stem

Upper stem

DN	Position	PVC-U code	PVC-C code	PP-H code	PVDF code
65	20	STVKD075V	STVKD075C	STVKD075M	STVKD075F
80	20	STVKD090V	STVKD090C	STVKD090M	STVKD090F
100	20	STVKD110V	STVKD110C	STVKD110M	STVKD110F

Lower stem

Lower stem

DN	Position	PVC-U code	PVC-C code	PP-H code	PVDF code
65	21	LSVKD075V	LSVKD075C	LSVKD075M	LSVKD075F
80	21	LSVKD090V	LSVKD090C	LSVKD090M	LSVKD090F
100	21	LSVKD110V	LSVKD110C	LSVKD110M	LSVKD110F

Ball

Ball

DN	Position	PVC-U code	PVC-C code	PP-H code	PVDF code
65	6	BLVKD075V	BLVKD075C	BLVKD075M	BLVKD075F
80	6	BLVKD090V	BLVKD090C	BLVKD090M	BLVKD090F
100	6	BLVKD110V	BLVKD110C	BLVKD110M	BLVKD110F

Carrier

Ball seat carrier

DN	Position	PVC-U code	PVC-C code	PP-H code	PVDF code
65	16-17	SEVKD075V	SEVKD075C	SEVKD075M	SEVKD075F
80	16-17	SEVKD090V	SEVKD090C	SEVKD090M	SEVKD090F
100	16-17	SEVKD110V	SEVKD110C	SEVKD110M	SEVKD110F

Union nut

Union nut

DN	Position	PVC-U code	PVC-C code	PP-H code	PVDF code
65	13	NTVKD075V	NTVKD075C	NTVKD075M	NTVKD075F
80	13	NTVKD090V	NTVKD090C	NTVKD090M	NTVKD090F
100	13	NTVKD110V	NTVKD110C	NTVKD110M	NTVKD110F

DUAL BLOCK® kit

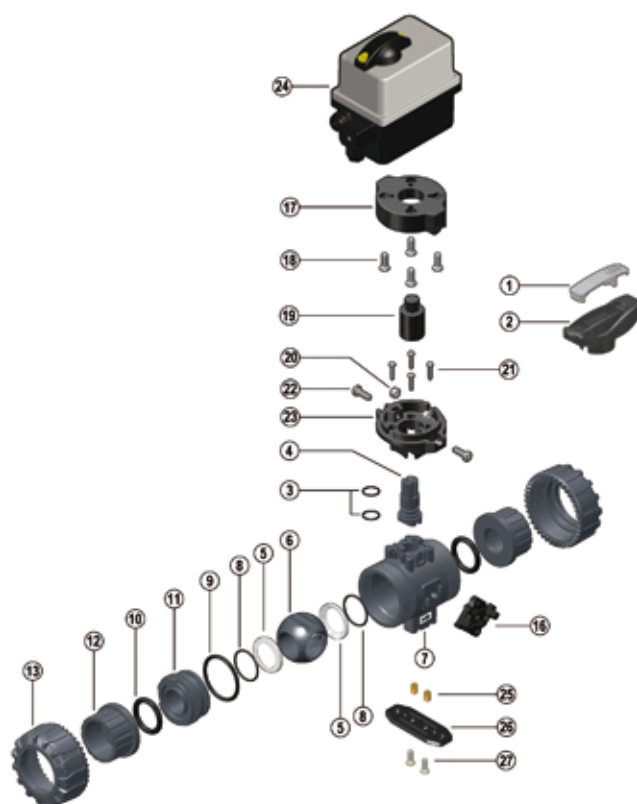
DUAL BLOCK® kit

DN	Position	Code
65 ÷ 100	24-25-26-27-28-29	DBVKD075110

VKR/CE DN 10÷50

SPARE PARTS FOR ACTUATED VALVES

SPARE PARTS FOR ELECTRICALLY ACTUATED REGULATING BALL VALVES DUAL BLOCK®



Electric Actuator

Electric Actuator modulating function voltage 90 ÷ 240 V AC or 24 V AC/DC, 4-20 mA and 0-10 V input

DN	Position	90 ÷ 240 V AC code	24 V AC/DC code
10 ÷ 50	1	ME020MOE	ME020LOE

12V DC on request

Sealings Set

Sealings Set

DN	Position	To be used with:	EPDM code	FKM code
10 ÷ 15	3-5-8-9-10	VKD-VKR	SETVKD020E	SETVKD020F
20	3-5-8-9-10	VKD-VKR	SETVKD025E	SETVKD025F
25	3-5-8-9-10	VKD-VKR	SETVKD032E	SETVKD032F
32	3-5-8-9-10	VKD-VKR	SETVKD040E	SETVKD040F
40	3-5-8-9-10	VKD-VKR	SETVKD050E	SETVKD050F
50	3-5-8-9-10	VKD-VKR	SETVKD063E	SETVKD063F

VKR/CE DN 10÷50

SPARE PARTS FOR ACTUATED VALVES

SPARE PARTS FOR ELECTRICALLY ACTUATED REGULATING BALL VALVES DUAL BLOCK®

Stem

Stem

DN	Pos.*	To be used with:	PVC-U code	PP-H code	PVDF code
10 ÷ 15	4	VKD-VKR-TKD	STVKD020V	STVKD020M	STVKD020F
20	4	VKD-VKR-TKD	STVKD025V	STVKD025M	STVKD025F
25	4	VKD-VKR-TKD	STVKD032V	STVKD032M	STVKD032F
32	4	VKD-VKR-TKD	STVKD040V	STVKD040M	STVKD040F
40	4	VKD-VKR-TKD	STVKD050V	STVKD050M	STVKD050F
50	4	VKD-VKR-TKD	STVKD063V	STVKD063M	STVKD063F

*Position

Carrier

Ball seat carrier

DN	Position	To be used with:	PVC-U code	PP-H code	PVDF code
10 ÷ 15	11	VKD-VKR	SEVKD020V	SEVKD020M	SEVKD020F
20	11	VKD-VKR	SEVKD025V	SEVKD025M	SEVKD025F
25	11	VKD-VKR	SEVKD032V	SEVKD032M	SEVKD032F
32	11	VKD-VKR	SEVKD040V	SEVKD040M	SEVKD040F
40	11	VKD-VKR	SEVKD050V	SEVKD050M	SEVKD050F
50	11	VKD-VKR	SEVKD063V	SEVKD063M	SEVKD063F

Union nut

Union nut

DN	P*	To be used with:	PVC-U code	PP-H code	PVDF code
10 ÷ 15	13	VKD-VKR-TKD-SR-VV-VR-VA-VZ	NTVKD020V	NTVKD020M	NTVKD020F
20	13	VKD-VKR-TKD-SR-VV-VR-VA-VZ	NTVKD025V	NTVKD025M	NTVKD025F
25	13	VKD-VKR-TKD-SR-VV-VR-VA-VZ	NTVKD032V	NTVKD032M	NTVKD032F
32	13	VKD-VKR-TKD-SR-VV-VR-VA-VZ	NTVKD040V	NTVKD040M	NTVKD040F
40	13	VKD-VKR-TKD-SR-VV-VR-VA-VZ	NTVKD050V	NTVKD050M	NTVKD050F
50	13	VKD-VKR-TKD-SR-VV-VR-VA-VZ	NTVKD063V	NTVKD063M	NTVKD063F

*Position

DUAL BLOCK® kit

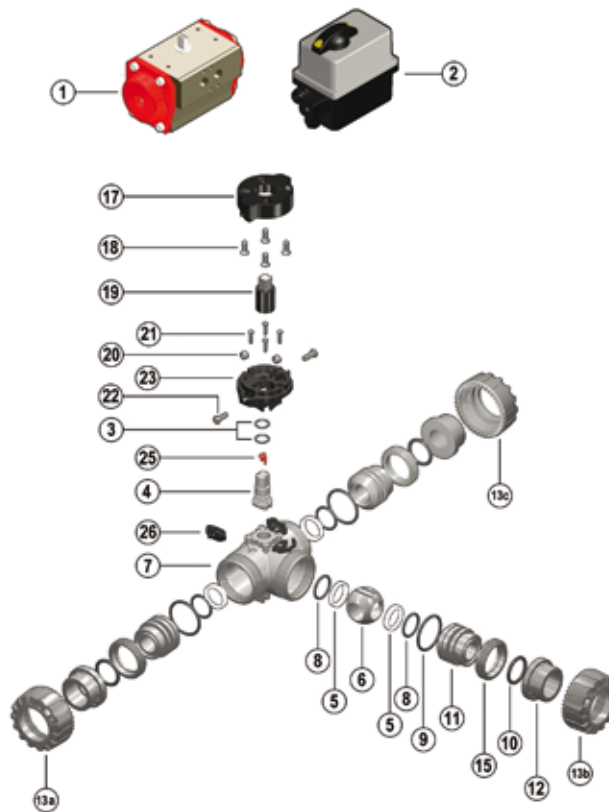
DUAL BLOCK® kit

DN	Position	To be used with:	Code
10 ÷ 20	16	VKD-VKR	DBVKD020025
25	16	VKD-VKR	DBVKD032
32 ÷ 40	16	VKD-VKR	DBVKD040050
50	16	VKD-VKR	DBVKD063

TKD/CP AND TKD/CE DN 10÷50

SPARE PARTS FOR ACTUATED VALVES

SPARE PARTS FOR ACTUATED 3-WAY BALL VALVES DUAL BLOCK®



Pneumatic Actuator

Pneumatic Actuator Single Acting (NC-NO) or Double Acting (DA)

DN	Position	Single Acting Code	Double Acting Code
10 ÷ 15	1	AT02SA10	AT02DA
20 ÷ 25	1	AT03SA06	AT03DA
32	1	AT03SA08	AT03DA
40	1	AT03SA10	AT03DA
50	1	AT04SA10	AT04DA

Sealings Set Pneumatic Actuator

Sealings Set in NBR for Pneumatic Actuator

DN	NBR code
10 ÷ 15	SETAT02N
20 ÷ 40	SETAT03N
50	SETAT04N

Electric Actuator

Electric Actuator ON/OFF function voltage 90 ÷ 240 V AC or 24 V AC/DC

DN	Position	90 ÷ 240 V AC code	24 V AC/DC code
10 ÷ 50	2	ME020M	ME020L

TKD/CP AND TKD/CE DN 10÷50 SPARE PARTS FOR ACTUATED VALVES

SPARE PARTS FOR ACTUATED 3-WAY BALL VALVES DUAL BLOCK®

Sealings Set

Sealings Set

DN	Position	EPDM code	FKM code
10 ÷ 15	3-5-8-9-10	SETTKD020E	SETTKD020F
20	3-5-8-9-10	SETTKD025E	SETTKD025F
25	3-5-8-9-10	SETTKD032E	SETTKD032F
32	3-5-8-9-10	SETTKD040E	SETTKD040F
40	3-5-8-9-10	SETTKD050E	SETTKD050F
50	3-5-8-9-10	SETTKD063E	SETTKD063F

Stem

Stem

DN	Pos.*	To be used with:	PVC-U code	PVC-C code	PP-H code
10 ÷ 15	4	VKD-VKR-TKD	STVKD020V	STVKD020C	STVKD020M
20	4	VKD-VKR-TKD	STVKD025V	STVKD025C	STVKD025M
25	4	VKD-VKR-TKD	STVKD032V	STVKD032C	STVKD032M
32	4	VKD-VKR-TKD	STVKD040V	STVKD040C	STVKD040M
40	4	VKD-VKR-TKD	STVKD050V	STVKD050C	STVKD050M
50	4	VKD-VKR-TKD	STVKD063V	STVKD063C	STVKD063M

*Position

TKD ball ("T" bore)

TKD ball with "T" bore"

DN	Position	PVC-U code	PVC-C code	PP-H code
10 ÷ 15	6	BLTKD020V	BLTKD020C	BLTKD020M
20	6	BLTKD025V	BLTKD025C	BLTKD025M
25	6	BLTKD032V	BLTKD032C	BLTKD032M
32	6	BLTKD040V	BLTKD040C	BLTKD040M
40	6	BLTKD050V	BLTKD050C	BLTKD050M
50	6	BLTKD063V	BLTKD063C	BLTKD063M

TKD ball ("L" bore)

TKD ball with "L" bore

DN	Position	PVC-U code	PVC-C code	PP-H code
10 ÷ 15	6	BLLKD020V	BLLKD020C	BLLKD020M
20	6	BLLKD025V	BLLKD025C	BLLKD025M
25	6	BLLKD032V	BLLKD032C	BLLKD032M
32	6	BLLKD040V	BLLKD040C	BLLKD040M
40	6	BLLKD050V	BLLKD050C	BLLKD050M
50	6	BLLKD063V	BLLKD063C	BLLKD063M

Carrier

Ball seat carrier

DN	Position	PVC-U code	PVC-C code	PP-H code
10 ÷ 15	11-15	SETKD020V	SETKD020C	SETKD020M
20	11-15	SETKD025V	SETKD025C	SETKD025M
25	11-15	SETKD032V	SETKD032C	SETKD032M
32	11-15	SETKD040V	SETKD040C	SETKD040M
40	11-15	SETKD050V	SETKD050C	SETKD050M
50	11-15	SETKD063V	SETKD063C	SETKD063M

TKD/CP AND TKD/CE DN 10÷50

SPARE PARTS FOR ACTUATED VALVES

SPARE PARTS FOR ACTUATED 3-WAY BALL VALVES DUAL BLOCK®

Union nut

Union nut

DN	P*	To be used with:	PVC-U code	PVC-C code	PP-H code
10 ÷ 15	13	VKD-VKR-TKD-SR-VV-VR-VA-VZ	NTVKD020V	NTVKD020C	NTVKD020M
20	13	VKD-VKR-TKD-SR-VV-VR-VA-VZ	NTVKD025V	NTVKD025C	NTVKD025M
25	13	VKD-VKR-TKD-SR-VV-VR-VA-VZ	NTVKD032V	NTVKD032C	NTVKD032M
32	13	VKD-VKR-TKD-SR-VV-VR-VA-VZ	NTVKD040V	NTVKD040C	NTVKD040M
40	13	VKD-VKR-TKD-SR-VV-VR-VA-VZ	NTVKD050V	NTVKD050C	NTVKD050M
50	13	VKD-VKR-TKD-SR-VV-VR-VA-VZ	NTVKD063V	NTVKD063C	NTVKD063M

*Position

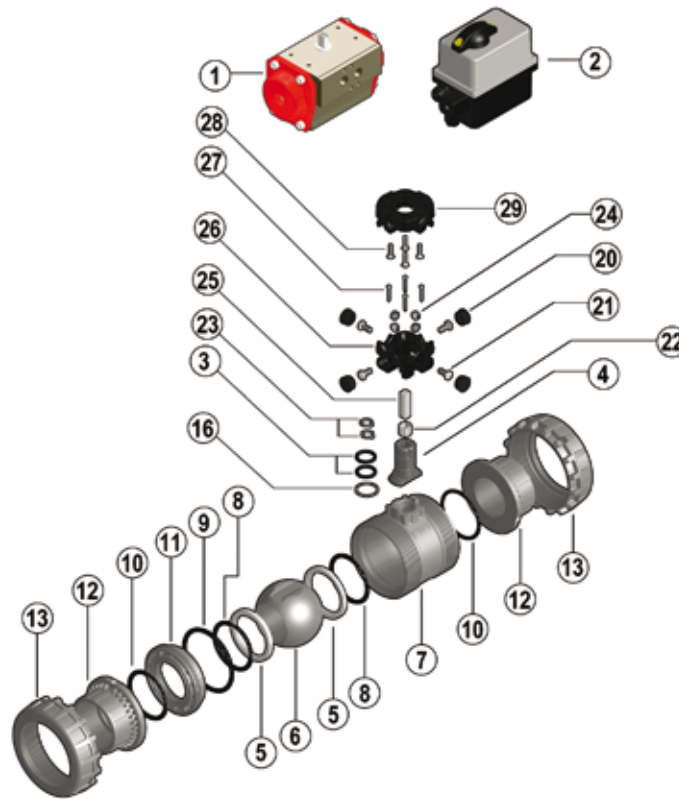
DUAL BLOCK® kit

DUAL BLOCK® kit (3 pcs)

DN	Position	Code
10 ÷ 20	26	DBTKD020025
25 ÷ 32	26	DBTKD032040
40 ÷ 50	26	DBTKD050063

VXE/CP AND VXE/CE DN 65÷100 SPARE PARTS FOR ACTUATED VALVES

SPARE PARTS FOR ACTUATED BALL VALVES EASYFIT



Pneumatic Actuator

Pneumatic Actuator Single Acting (NC-NO) or Double Acting (DA)

DN	Position	Single Acting Code	Double Acting Code
65 ÷ 80	1	AT04SA08	AT03DA
100	1	AT04SA10	AT04DA

Sealings Set Pneumatic Actuator

Sealings Set in NBR for Pneumatic Actuator

DN	NBR Single Acting Code	NBR Double Acting Code
65 ÷ 100	SETAT04N	SETAT03N

Electric Actuator

Electric Actuator ON/OFF function voltage 90 ÷ 240 V AC or 24 V AC/DC

DN	Position	90 ÷ 240 V AC code	24 V AC/DC code
65	2	ME020M	ME020L
80	2	ME035M	ME035L
100	2	ME060M	ME060L

12V DC on request

VXE/CP AND VXE/CE DN 65÷100

SPARE PARTS FOR ACTUATED VALVES

SPARE PARTS FOR ACTUATED BALL VALVES EASYFIT

Sealings Set

Sealings Set

DN	Position	EPDM code	PTFE-EPDM code	PTFE-FKM code
65	3 - 5 - 8 - 9 - 10 - 16	SETVEE075E	SETVXE075E	SETVXE075F
80	3 - 5 - 8 - 9 - 10 - 16	SETVEE090E	SETVXE090E	SETVXE090F
100	3 - 5 - 8 - 9 - 10 - 16	SETVEE110E	SETVXE110E	SETVXE110F

Stem

Stem

DN	Position	PVC-U code	PVC-C code
65 ÷ 80	4	STVXE090V	STVXE090C
100	4	STVXE110V	STVXE110C

Ball

Ball

DN	Position	PVC-U code	PVC-C code
65	6	BLVXE075V	BLVXE075C
80	6	BLVXE090V	BLVXE090C
100	6	BLVXE110V	BLVXE110C

Carrier

Ball seat carrier

DN	Position	PVC-U code	PVC-C code
65	11	SEVXE075V	SEVXE075C
80	11	SEVXE090V	SEVXE090C
100	11	SEVXE110V	SEVXE110C

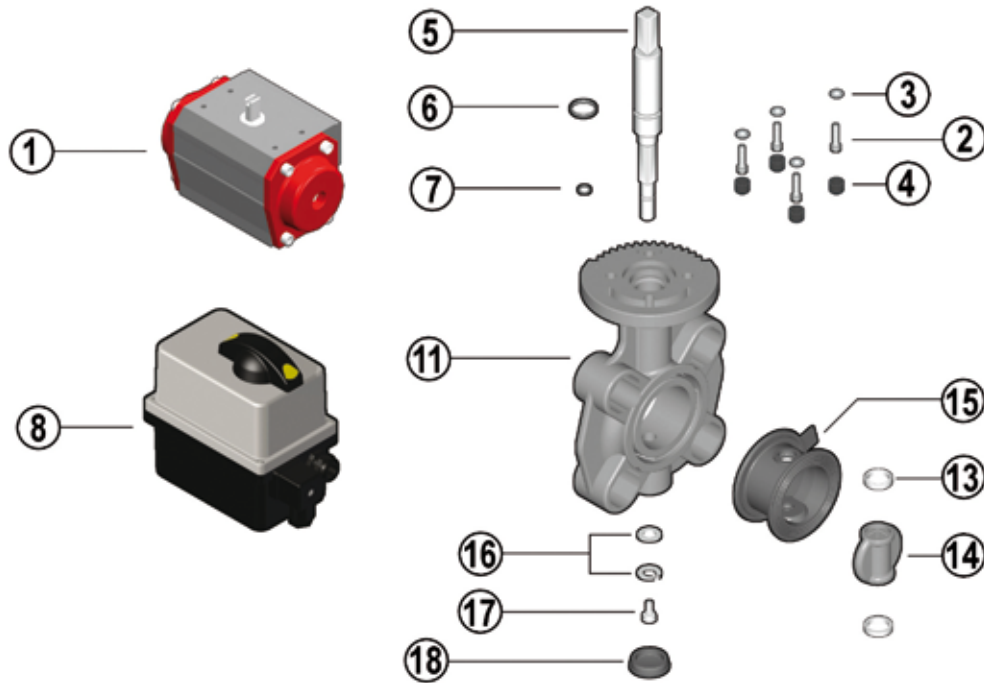
Union nut

Union nut

DN	Position	PVC-U code	PVC-C code
65	13	NTVXE075V	NTVXE075C
80	13	NTVXE090V	NTVXE090C
100	13	NTVXE110V	NTVXE110C

FE/CP AND FE/CE DN 40÷50 SPARE PARTS FOR ACTUATED VALVES

SPARE PARTS FOR ACTUATED BUTTERFLY VALVES



Kit Pneumatic Actuator

Pneumatic Actuator Single Acting (NC-NO) or Double Acting (DA)

DN	Position	Single Acting Code	Double Acting Code
40	1 - 2 - 3 - 4	KITAPSA050	KITAPDA075
50	1 - 2 - 3 - 4	KITAPSA075	KITAPDA075

Actuator Kit composed by actuator, fasteners and, if necessary, square reduction sleeve

Sealings Set Pneumatic Actuator

Sealings Set in NBR for Pneumatic Actuator

DN	NBR Single Acting Code	NBR Double Acting Code
40	SETAT03N	SETAT03N
50	SETAT04N	SETAT03N

Kit Electric Actuator

Electric Actuator ON/OFF function voltage 90 ÷ 240 V AC o 24 V AC/DC

DN	Position	90 ÷ 240 V AC code	24 V AC/DC code
40 ÷ 50	2 - 3 - 4 - 8	KITAEM075	KITAELO75

12V DC on request.

Actuator Kit composed by actuator, fasteners and, if necessary, square reduction sleeve

FE/CP AND FE/CE DN 40÷50

SPARE PARTS FOR ACTUATED VALVES

SPARE PARTS FOR ACTUATED BUTTERFLY VALVES

Sealings Set

Sealings Set

DN	Position	EPDM code	FKM code
40 ÷ 50	6 - 7 - 13	SETFK063E	SETFK063F

Shaft

Zinc-plated steel shaft

DN	Position	Code
40	5	STFE050
50	5	STFE063

For spare parts of valves supplied before February 2021, please contact FIP Technical Support. The replacement of both liner and stem is necessary.

Disc

Disc in PVC-U

DN	Position	PVC-U code
40	14	DISCV050
50	14	DISCV063

Primary Liner

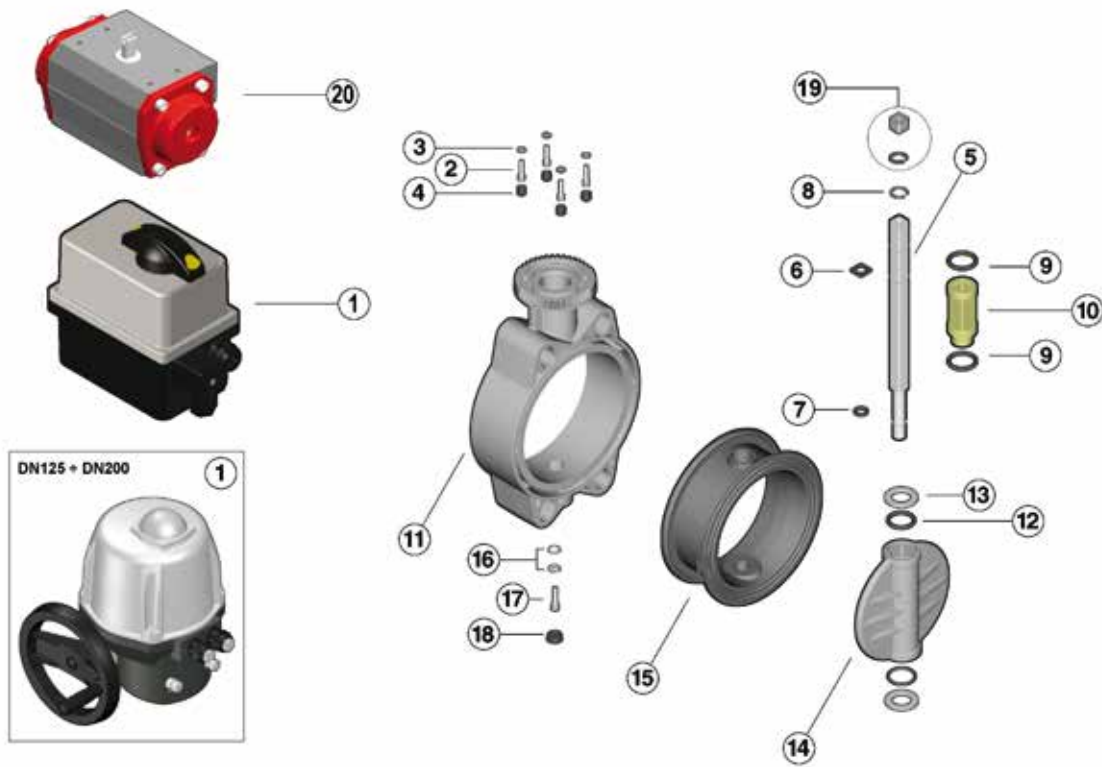
Primary Liner

DN	Position	EPDM code	FKM code
40	15	LIN050E	LIN050F
50	15	LIN063E	LIN063F

For spare parts of valves supplied before February 2021, please contact FIP Technical Support. The replacement of both liner and stem is necessary.

FE/CP AND FE/CE DN 65÷200 SPARE PARTS FOR ACTUATED VALVES

SPARE PARTS FOR ACTUATED BUTTERFLY VALVES



Kit Pneumatic Actuator

Pneumatic Actuator Single Acting (NC-NO) or Double Acting (DA)

DN	Position	Single Acting Code	Double Acting Code
65	20	KITAPSA075	KITAPDA075
80	20	KITAPSA090	KITAPDA090
100	20	KITAPSA110	KITAPDA110
125	20	KITAPSA140	KITAPDA140
150	20	KITAPSA160	KITAPDA160
200	20	KITAPSA225	KITAPDA225

Actuator Kit composed by actuator, fasteners and, if necessary, square reduction sleeve

Sealings Set Pneumatic Actuator

Sealings Set in NBR for Pneumatic Actuator

DN	NBR Single Acting Code	NBR Double Acting Code
65	SETAT04N	SETAT03N
80	SETAT05N	SETAT04N
100	SETAT06N	SETAT05N
125	SETAT07N	SETAT05N
150	SETAT07N	SETAT06N
200	SETAT10N	SETAT07N

FE/CP AND FE/CE DN 65÷200

SPARE PARTS FOR ACTUATED VALVES

SPARE PARTS FOR ACTUATED BUTTERFLY VALVES

Kit Electric Actuator

Electric Actuator ON/OFF function voltage 90 ÷ 240 V AC or 24 V AC/DC

DN	Position	90 ÷ 240 V AC code	24 V AC/DC code
65	1	KITAEM075	KITAELO75
80	1	KITAEM110	KITAELO75
100	1	KITAEM110	KITAELO75
125	1	KITAEM160	KITAELO75
150	1	KITAEM160	KITAELO75
200	1	KITAEM225	KITAELO75

Actuator Kit composed by actuator, fasteners and, if necessary, square reduction sleeve

Sealing set

Sealing set

DN	Position	EPDM code	FKM code
65	6 - 7 - 9 - 12 - 13	SETFK075E	SETFK075F
80	6 - 7 - 9 - 12 - 13	SETFK090E	SETFK090F
100	6 - 7 - 9 - 12 - 13	SETFK110E	SETFK110F
125	6 - 7 - 9 - 12 - 13	SETFK140E	SETFK140F
150	6 - 7 - 9 - 12 - 13	SETFK160E	SETFK160F
200	6 - 7 - 9 - 12 - 13	SETFK225E	SETFK225F

Shaft

Zinc-plated steel shaft

DN	Position	Code
65	5	STFE075
80	5	STFE090
100	5	STFE110
125	5	STFE140
150	5	STFE160
200	5	STFE225

Disc

Disc in PVC-U

DN	Position	Code
65	14	DISCV075
80	14	DISCV090
100	14	DISCV110
125	14	DISCV140
150	14	DISCV160
200	14	DISCV225

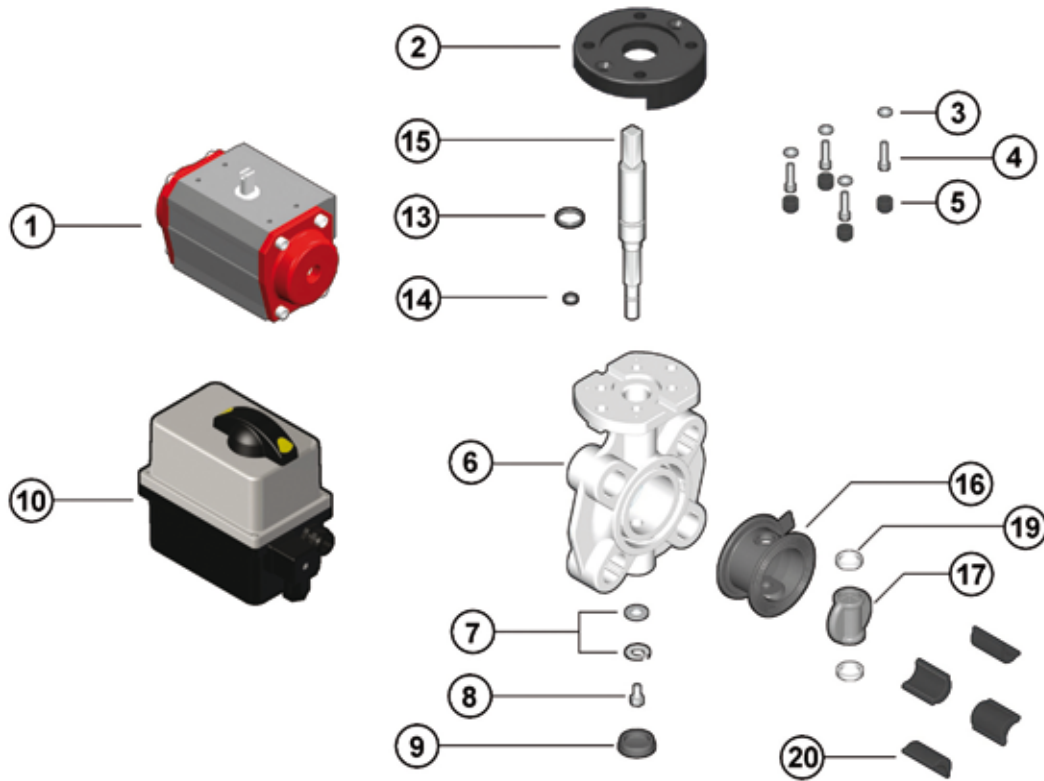
Primary liner

Primary liner

DN	Position	EPDM code	FKM code	NBR code
65	15	LIN075E	LIN075F	LIN075N
80	15	LIN090E	LIN090F	LIN090N
100	15	LIN110E	LIN110F	LIN110N
125	15	LIN140E	LIN140F	LIN140N
150	15	LIN160E	LIN160F	LIN160N
200	15	LIN225E	LIN225F	LIN225N

FK/CP AND FK/CE DN 40÷50 SPARE PARTS FOR ACTUATED VALVES

SPARE PARTS FOR ACTUATED BUTTERFLY VALVES



Kit Pneumatic Actuator

Pneumatic Actuator Single Acting (NC-NO) or Double Acting (DA)

DN	Position	Single Acting Code	Double Acting Code
40	1	KITAPSA050	KITAPDA075
50	1	KITAPSA075	KITAPDA075

Actuator Kit composed by actuator, fasteners and, if necessary, square reduction sleeve

Sealings Set Pneumatic Actuator

Sealings Set in NBR for Pneumatic Actuator

DN	NBR Single Acting Code	NBR Double Acting Code
40	SETAT03N	SETAT03N
50	SETAT04N	SETAT03N

Kit Electric Actuator

Electric Actuator ON/OFF function voltage 90 ÷ 240 V AC or 24 V AC/DC

DN	Position	90 ÷ 240 V AC code	24 V AC/DC code
40 ÷ 50	10	KITAEM075	KITAELO75

Actuator Kit composed by actuator, fasteners and, if necessary, square reduction sleeve

FK/CP AND FK/CE DN 40÷50

SPARE PARTS FOR ACTUATED VALVES

SPARE PARTS FOR ACTUATED BUTTERFLY VALVES

Sealings Set

Sealings Set

DN	Position	EPDM code	FKM code
40 ÷ 50	13 - 14 - 19	SETFK063E	SETFK063F

Shaft

Stainless steel AISI 316 shaft

DN	Position	Code
40	15	STFK050
50	15	STFK063

For spare parts of valves supplied before February 2021, please contact FIP Technical Support. The replacement of both liner and stem is necessary.

Disc

Disc

DN	Position	PVC-U code	PVC-C code	PP-H code	PVDF code
40	17	DISCV050	DISCC050	DISCM050	DISCF050
50	17	DISCV063	DISCC063	DISCM063	DISCF063

Primary liner

Primary liner

DN	Position	EPDM code	FKM code
40	16	LIN050E	LIN050F
50	16	LIN063E	LIN063F

For spare parts of valves supplied before February 2021, please contact FIP Technical Support. The replacement of both liner and stem is necessary.

Centering inserts

Centering inserts set

DN	Position	Code
40	20	ISFK050
50	20	ISFK063

FK/CP AND FK/CE DN 65÷200

SPARE PARTS FOR ACTUATED VALVES

SPARE PARTS FOR ACTUATED BUTTERFLY VALVES

Kit Electric Actuator

Electric Actuator ON/OFF function voltage 90 ÷ 240 V AC or 24 V AC/DC

DN	Position	90 ÷ 240 V AC code	24 V AC/DC code
65	1	KITAEM075	KITAELO75
80 ÷ 100	1	KITAEM110	KITAELO75
125 ÷ 150	1	KITAEM160	KITAELO75
200	1	KITAEM225	KITAELO75

Actuator Kit composed by actuator, fasteners and, if necessary, square reduction sleeve

Sealing set

Sealing set

DN	Position	EPDM code	FKM code
65	11 - 13 - 14 - 18 - 19	SETFK075E	SETFK075F
80	11 - 13 - 14 - 18 - 19	SETFK090E	SETFK090F
100	11 - 13 - 14 - 18 - 19	SETFK110E	SETFK110F
125	11 - 13 - 14 - 18 - 19	SETFK140E	SETFK140F
150	11 - 13 - 14 - 18 - 19	SETFK160E	SETFK160F
200	11 - 13 - 14 - 18 - 19	SETFK225E	SETFK225F

Shaft

Stainless steel AISI 316 shaft

DN	Position	Code
65	15	STFK075
80	15	STFK090
100	15	STFK110
125	15	STFK140
150	15	STFK160
200	15	STFK225

Disc

Disc

DN	Position	PVC-U code	PVC-C code	PP-H code	PVDF code
65	17	DISCV075	DISCC075	DISCM075	DISCF075
80	17	DISCV090	DISCC090	DISCM090	DISCF090
100	17	DISCV110	DISCC110	DISCM110	DISCF110
125	17	DISCV140	DISCC140	DISCM140	DISCF140
150	17	DISCV160	DISCC160	DISCM160	DISCF160
200	17	DISCV225	DISCC225	DISCM225	DISCF225

Primary Liner

Primary Liner

DN	Position	EPDM code	FKM code	NBR code
65	16	LIN075E	LIN075F	LIN075N
80	16	LIN090E	LIN090F	LIN090N
100	16	LIN110E	LIN110F	LIN110N
125	16	LIN140E	LIN140F	LIN140N
150	16	LIN160E	LIN160F	LIN160N
200	16	LIN225E	LIN225F	LIN225N

FK/CP AND FK/CE DN 65÷200 SPARE PARTS FOR ACTUATED VALVES

SPARE PARTS FOR ACTUATED BUTTERFLY VALVES

Centering inserts

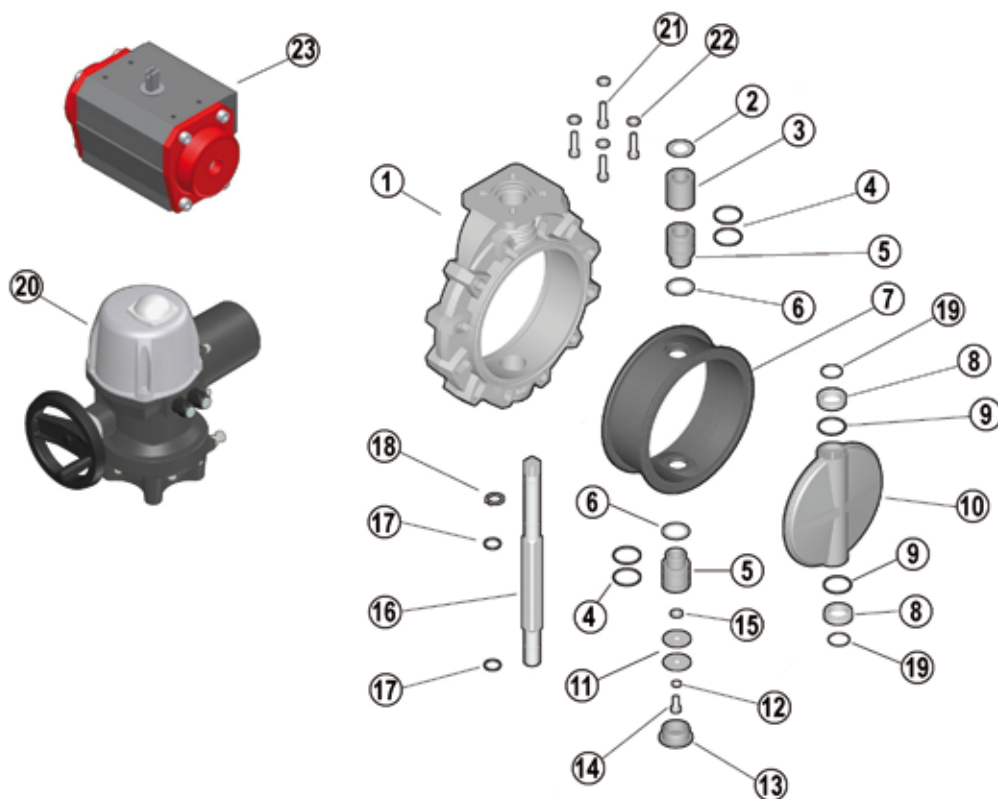
Centering inserts set

DN	Position	Code
65	20	ISFK075
80	20	ISFK090
100	20	ISFK110
125	20	ISFK140
150	20	ISFK160
200	20	ISFK225

FK/CP AND FK/CE DN 250-300

SPARE PARTS FOR ACTUATED VALVES

SPARE PARTS FOR ACTUATED BUTTERFLY VALVES



Kit Pneumatic Actuator

Pneumatic Actuator Single Acting (NC-NO) or Double Acting (DA)

DN	Position	Single Acting Code	Double Acting Code
250	23	KITAPSA280	KITAPDA315
300	23	KITAPSA315	KITAPDA315

Actuator Kit composed by actuator, fasteners and, if necessary, square reduction sleeve

Sealings Set Pneumatic Actuator

Sealings Set in NBR for Pneumatic Actuator

DN	NBR Single Acting Code	€	NBR Double Acting Code
250 - 300	SETAT12N	116,08	SETAT09N

Kit Electric Actuator

Electric Actuator ON/OFF function voltage 24, 115, 230 V AC or 24 V DC

DN	Position	230 V AC code	115 V AC code	24 V DC code	24 V AC code
250 - 300	20	KITAEA315	KITAEB315	KITAEF315	KITAE315

Actuator Kit composed by actuator, fasteners and, if necessary, square reduction sleeve

FK/CP AND FK/CE DN 250-300 SPARE PARTS FOR ACTUATED VALVES

SPARE PARTS FOR ACTUATED BUTTERFLY VALVES

Sealing set

Sealing set

DN	Position	EPDM code	FKM code
250 - 300	4 - 6 - 8 - 9 - 17 - 19	SETFK315E	SETFK315F

Shaft

Stainless steel AISI 316 shaft

DN	Position	Code*
250	16	STFK280
300	16	STFK315

* shaft suitable for installation on PVC-U disc. For other material please contact FIP Technical Support

Disc

Disc

DN	Position	PVC-U code	PVC-C code	PP-H code	PVDF code
250	10	DISCV280	DISCC280	DISCM280	DISCF280
300	10	DISCV315	DISCC315	DISCM315	DISCF315

Primary Liner

Primary Liner

DN	Position	EPDM code	FKM code
250	7	LIN280E	LIN280F
300	7	LIN315E	LIN315F

FK/CP AND FK/CE DN 350-400

SPARE PARTS FOR ACTUATED VALVES

SPARE PARTS FOR ACTUATED BUTTERFLY VALVES



Kit Pneumatic Actuator

Pneumatic Actuator Single Acting (NC-NO) or Double Acting (DA)

DN	Position	Single Acting NC Code	Single Acting NO Code	Double Acting Code
350 - 400	24	KITAPNC400	KITAPNO400	KITAPDA400

Actuator Kit composed by actuator, fasteners and, if necessary, square reduction sleeve

Sealings Set Pneumatic Actuator

Sealings Set in NBR for Pneumatic Actuator

DN	NBR Single Acting Code	NBR Double Acting Code
350 - 400	SETAT13N	SETAT09N

Kit Electric Actuator

Electric Actuator ON/OFF function voltage 115, 230 V AC or 400 V threephase

DN	Position	230 V AC code	115 V AC code	400 V threephase code
350 - 400	25	KITAEA400	KITAEB400	KITAEI400

Actuator Kit composed by actuator, fasteners and, if necessary, square reduction sleeve

Sealing set

Sealing set

DN	Position	EPDM code	FKM code
350 - 400	4 - 6 - 9 - 17	SETFK400E	SETFK400F

FK/CP AND FK/CE DN 350-400

SPARE PARTS FOR ACTUATED VALVES

SPARE PARTS FOR ACTUATED BUTTERFLY VALVES

Shaft

Stainless steel AISI 316 shaft

DN	Position	(*) Code
350	16	STFK355
400	16	STFK400

* shaft suitable for installation on PVC-U disc. For other material please contact FIP Technical Support

Disc

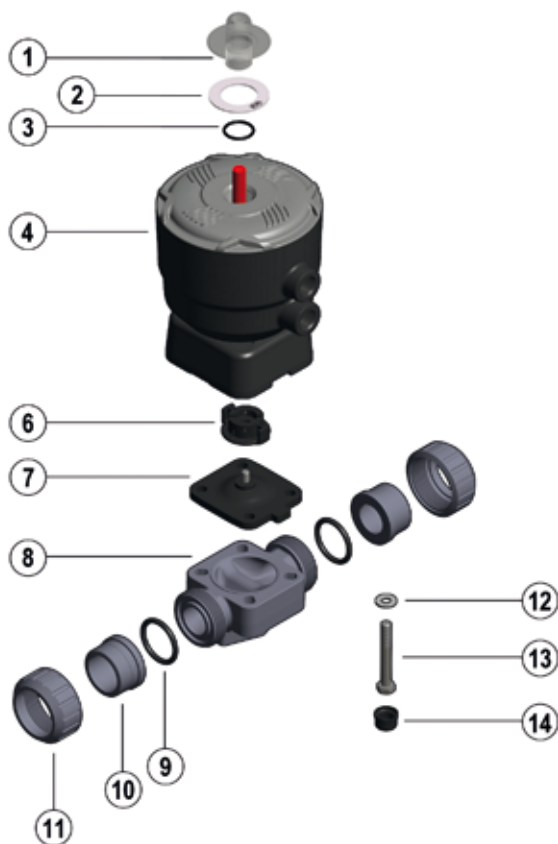
Disc

DN	Position	PVC-U code	PP-H code	PVDF code
350	10	DISCV355	DISCM355	DISCF355
400	10	DISCV400	DISCM400	DISCF400

DK/CP DN 15÷65

SPARE PARTS FOR ACTUATED VALVES

SPARE PARTS FOR PNEUMATICALLY ACTUATED DIAPHRAGM VALVES



Diaphragm

Sealing diaphragm for diaphragm valve DK/CP

DN	Position	EPDM code	FKM code	PTFE code	NBR code
15	7	DIA025E	DIA025F	DIADK025P	DIA025N
20	7	DIA025E	DIA025F	DIADK025P	DIA025N
25	7	DIA032E	DIA032F	DIADK032P	DIA032N
32	7	DIA032E	DIA032F	DIADK032P	DIA032N
40	7	DIA050E	DIA050F	DIADK050P	DIA050N
50	7	DIA063E	DIA063F	DIADK063P	DIA063N
65	7	DIA063E	DIA063F	DIADK063P	DIA063N

DK/CP body O-Ring (DKU..)

O-ring for DK/CP unionised bodies*

DN	Position	EPDM code	FKM code
15	9	OR4081E	OR4081F
20	9	OR4112E	OR4112F
25 - 32	9	OR4131E	OR4131F
40	9	OR6187E	OR6187F
50	9	OR6237E	OR6237F

* one piece

DK/CP DN 15÷65

SPARE PARTS FOR ACTUATED VALVES

SPARE PARTS FOR PNEUMATICALLY ACTUATED DIAPHRAGM VALVES

DK/CP body with ISO spigot ends (DKD..)

DK/CP body with male ends for solvent welding, metric series

DN	Position	PVC-U code	PVC-C code	PP-H code	PVDF code
15	8	SPBDDK020DV	SPBDDK020DC	SPBDDK020DM	SPBDDK020DF
20	8	SPBDDK025DV	SPBDDK025DC	SPBDDK025DM	SPBDDK025DF
25	8	SPBDDK032DV	SPBDDK032DC	SPBDDK032DM	SPBDDK032DF
32	8	SPBDDK040DV	SPBDDK040DC	SPBDDK040DM	SPBDDK040DF
40	8	SPBDDK050DV	SPBDDK050DC	SPBDDK050DM	SPBDDK050DF
50	8	SPBDDK063DV	SPBDDK063DC	SPBDDK063DM	SPBDDK063DF
65	8	SPBDDK075DV	SPBDDK075DC	SPBDDK075DM	SPBDDK075DF

DK/CP body with unionised ends (DKU..)

DK/CP body with unionised ends

DN	Position	PVC-U code	PVC-C code	PP-H code	PVDF code
15	8	UNBDDK020V	UNBDDK020C	UNBDDK020M	UNBDDK020F
20	8	UNBDDK025V	UNBDDK025C	UNBDDK025M	UNBDDK025F
25	8	UNBDDK032V	UNBDDK032C	UNBDDK032M	UNBDDK032F
32	8	UNBDDK040V	UNBDDK040C	UNBDDK040M	UNBDDK040F
40	8	UNBDDK050V	UNBDDK050C	UNBDDK050M	UNBDDK050F
50	8	UNBDDK063V	UNBDDK063C	UNBDDK063M	UNBDDK063F

DK/CP body with ISO-DIN flanged ends (DKO..)

DK/CP with flanged monolithic body, drilled PN10/16. Face to face according to EN 558-1

DN	Position	PVC-U code	PVC-C code	PP-H code	PVDF code
15	8	FLBDDK020OV	FLBDDK020OC	FLBDDK020OM	FLBDDK020OF
20	8	FLBDDK025OV	FLBDDK025OC	FLBDDK025OM	FLBDDK025OF
25	8	FLBDDK032OV	FLBDDK032OC	FLBDDK032OM	FLBDDK032OF
32	8	FLBDDK040OV	FLBDDK040OC	FLBDDK040OM	FLBDDK040OF
40	8	FLBDDK050OV	FLBDDK050OC	FLBDDK050OM	FLBDDK050OF
50	8	FLBDDK063OV	FLBDDK063OC	FLBDDK063OM	FLBDDK063OF

DK/CP body with ANSI flanged ends (DKOA..)

DK/CP with flanged monolithic body, drilled ANSI B16.5 cl. 150 #FF

DN	Position	PVC-U code	PVC-C code	PP-H code	PVDF code
15	8	FLBDDK012OAV	FLBDDK012OAC	FLBDDK012OAM	FLBDDK012OAF
20	8	FLBDDK034OAV	FLBDDK034OAC	FLBDDK034OAM	FLBDDK034OAF
25	8	FLBDDK100OAV	FLBDDK100OAC	FLBDDK100OAM	FLBDDK100OAF
32	8	FLBDDK114OAV	FLBDDK114OAC	FLBDDK114OAM	FLBDDK114OAF
40	8	FLBDDK112OAV	FLBDDK112OAC	FLBDDK112OAM	FLBDDK112OAF
50	8	FLBDDK200OAV	FLBDDK200OAC	FLBDDK200OAM	FLBDDK200OAF

*For spare parts related to installation prior to october 2017 please contact FIP Technical Support

SPARE PARTS FOR ACTUATED VALVES**SPARE PARTS FOR PNEUMATICALLY ACTUATED DIAPHRAGM VALVES****Union nut**

DK/CP union nut for unionised bodies

DN	Pos*	PVC-U code	PVC-C code	PP-H code	PVDF code
15	11	EFV100	EFC100	EFGM100	EFGF100
20	11	EFV114	EFC114	EFGM114	EFGF114
25	11	EFV112	EFC112	EFGM112	EFGF112
32	11	EFV200	EFC200	EFGM200	EFGF200
40	11	EFV214	EFC214	EFGM214	EFGF214
50	11	EFV234	EFC234	EFGM234	EFGF234

*Position

Compressor

Compressor for diaphragm valve DK/CP

DN	Position	Code
15	6	CODK020025
20	6	CODK020025
25	6	CODK032040
32	6	CODK032040
40	6	COVMMN040050
50	6	COVMMN063
65	6	COVMMN063

Pneumatic Actuator

Pneumatic Actuator with compressor for diaphragm valve DK/CP

DN	Position	NC code	NO code	DA code
15 ÷ 20	1 - 2 - 3 - 4 - 6	ATDKNC020025	ATDKNO020025	ATDKDA020025
25 ÷ 32	1 - 2 - 3 - 4 - 6	ATDKNC032040	ATDKNO032040	ATDKDA032040
40	1 - 2 - 3 - 4 - 6	ATDKNC050	ATDKNO050	ATDKDA050
50 ÷ 65	1 - 2 - 3 - 4 - 6	ATDKNC063075	ATDKNO063075	ATDKDA063075

Transparent cap

Transparent cap set for diaphragm valve DK/CP

DN	Position	Code
15 ÷ 65	1 - 2 - 3	TCSDKCP020075

Fasteners

Stainless steel fasteners for diaphragm valve DK/CP

DN	Position	Code
15	12 - 13 - 14	BSDK020025X
20	12 - 13 - 14	BSDK020025X
25	12 - 13 - 14	BSDK032040X
32	12 - 13 - 14	BSDK032040X
40	12 - 13 - 14	BSDK050X
50	12 - 13 - 14	BSDK063075X
65	12 - 13 - 14	BSDK063075X

VM/CP DN 80÷100

SPARE PARTS FOR ACTUATED VALVES

SPARE PARTS FOR PNEUMATICALLY ACTUATED DIAPHRAGM VALVES

VM/CP body with ISO spigot ends (VMD..)

VM/CP body with ISO male ends for EPDM/FKM or PTFE diaphragms

d	Position	PVC-U code (EPDM/FKM)	PVC-C code (EPDM/FKM)	PP-H code (EPDM/FKM)	PVDF code (EPDM/FKM)
90	9	SPBDVM090DV	SPBDVM090DC	SPBDVM090DM	SPBDVM090DF
110	9	SPBDVM110DV	SPBDVM110DC	SPBDVM110DM	SPBDVM110DF

d	Position	PVC-U code (PTFE)	PVC-C code (PTFE)	PP-H code (PTFE)	PVDF code (PTFE)
90	9	SPBDVMP090DV	SPBDVMP090DC	SPBDVMP090DM	SPBDVMP090DF
110	9	SPBDVMP110DV	SPBDVMP110DC	SPBDVMP110DM	SPBDVMP110DF

Fasteners

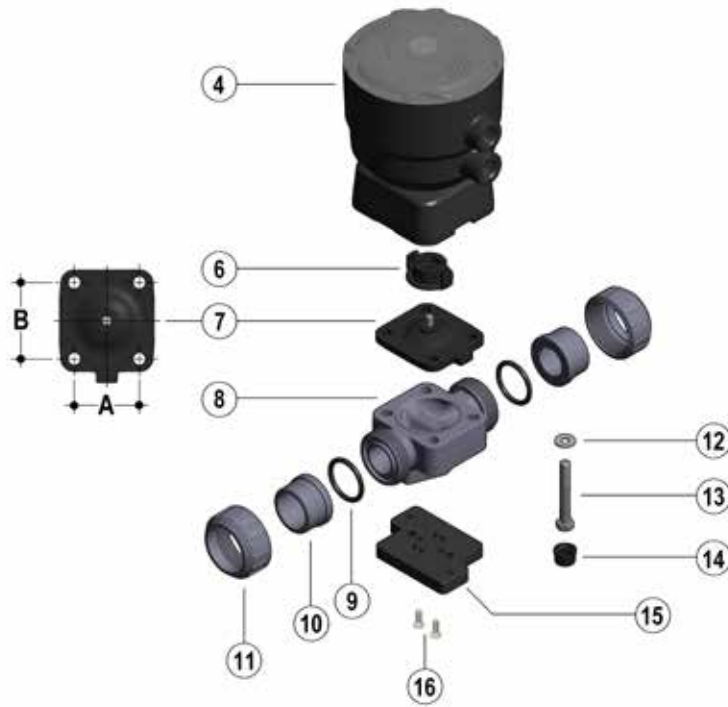
VM/CP fasteners kit composed by bolts, washers and protection caps

DN	Position	Stainless Steel code
80	10 - 11 - 12	BSVMCP075090X
100	10 - 11 - 12	BSVMCP110X

DKB/CP DN 15÷65

SPARE PARTS FOR ACTUATED VALVES

SPARE PARTS FOR PNEUMATICALLY ACTUATED DIAPHRAGM VALVES



Diaphragm

Sealing diaphragm for diaphragm valve DKB/CP

DN	Position	EPDM code
15	7	DIA025E
20	7	DIA025E
25	7	DIA032E
32	7	DIA032E
40	7	DIA050E
50	7	DIA063E
65	7	DIA063E

DKB/CP body O-Ring (DKBU..)

O-ring for DKB/CP unionised bodies*

DN	Position	EPDM code
15	9	OR4081E
20	9	OR4112E
25 - 32	9	OR4131E
40	9	OR6187E
50	9	OR6237E

* one piece

DKB/CP DN 15÷65

SPARE PARTS FOR ACTUATED VALVES

SPARE PARTS FOR PNEUMATICALLY ACTUATED DIAPHRAGM VALVES

DKB/CP body with ISO spigot ends (DKBD..)

DKB/CP body with male ends for solvent welding, metric series

DN	Position	PVC-U code	PVC-C code	PP-H code
15	8	SPBDDK020DV	SPBDDK020DC	SPBDDK020DM
20	8	SPBDDK025DV	SPBDDK025DC	SPBDDK025DM
25	8	SPBDDK032DV	SPBDDK032DC	SPBDDK032DM
32	8	SPBDDK040DV	SPBDDK040DC	SPBDDK040DM
40	8	SPBDDK050DV	SPBDDK050DC	SPBDDK050DM
50	8	SPBDDK063DV	SPBDDK063DC	SPBDDK063DM
65	8	SPBDDK075DV	SPBDDK075DC	SPBDDK075DM

DKB/CP body with unionised ends (DKBU..)

DKB/CP body with unionised ends

DN	Position	PVC-U code	PVC-C code	PP-H code
15	8	UNBDDK020V	UNBDDK020C	UNBDDK020M
20	8	UNBDDK025V	UNBDDK025C	UNBDDK025M
25	8	UNBDDK032V	UNBDDK032C	UNBDDK032M
32	8	UNBDDK040V	UNBDDK040C	UNBDDK040M
40	8	UNBDDK050V	UNBDDK050C	UNBDDK050M
50	8	UNBDDK063V	UNBDDK063C	UNBDDK063M

DKB/CP body with ISO-DIN flanged ends (DKBO..)

DKB/CP with flanged monolithic body, drilled PN10/16. Face to face according to EN 558-1

DN	Position	PVC-U code	PVC-C code	PP-H code
15	8	FLBDDK020OV	FLBDDK020OC	FLBDDK020OM
20	8	FLBDDK025OV	FLBDDK025OC	FLBDDK025OM
25	8	FLBDDK032OV	FLBDDK032OC	FLBDDK032OM
32	8	FLBDDK040OV	FLBDDK040OC	FLBDDK040OM
40	8	FLBDDK050OV	FLBDDK050OC	FLBDDK050OM
50	8	FLBDDK063OV	FLBDDK063OC	FLBDDK063OM

DKB/CP body with ANSI flanged ends (DKBOA..)

DKB/CP with flanged monolithic body, drilled ANSI B16.5 cl. 150 #FF

DN	Position	PVC-U code	PVC-C code	PP-H code
15	8	FLBDDK012OAV	FLBDDK012OAC	FLBDDK012OAM
20	8	FLBDDK034OAV	FLBDDK034OAC	FLBDDK034OAM
25	8	FLBDDK100OAV	FLBDDK100OAC	FLBDDK100OAM
32	8	FLBDDK114OAV	FLBDDK114OAC	FLBDDK114OAM
40	8	FLBDDK112OAV	FLBDDK112OAC	FLBDDK112OAM
50	8	FLBDDK200OAV	FLBDDK200OAC	FLBDDK200OAM

*For spare parts related to installation prior to october 2017 please contact FIP Technical Support

DKB/CP DN 15÷65

SPARE PARTS FOR ACTUATED VALVES

SPARE PARTS FOR PNEUMATICALLY ACTUATED DIAPHRAGM VALVES

Union nut

DKB/CP union nut for unionised bodies

DN	Pos*	PVC-U code	PVC-C code	PP-H code
15	11	EFV100	EFC100	EFGM100
20	11	EFV114	EFC114	EFGM114
25	11	EFV112	EFC112	EFGM112
32	11	EFV200	EFC200	EFGM200
40	11	EFV214	EFC214	EFGM214
50	11	EFV234	EFC234	EFGM234

*Position

Pneumatic actuator

Pneumatic Actuator for diaphragm valve DKB/CP

DN	Position	NC code
15 ÷ 20	4-6	ATDKBNC020025
25 ÷ 32	4-6	ATDKBNC032040
40	4-6	ATDKBNC050
50 ÷ 65	4-6	ATDKBNC063075

Fasteners kit

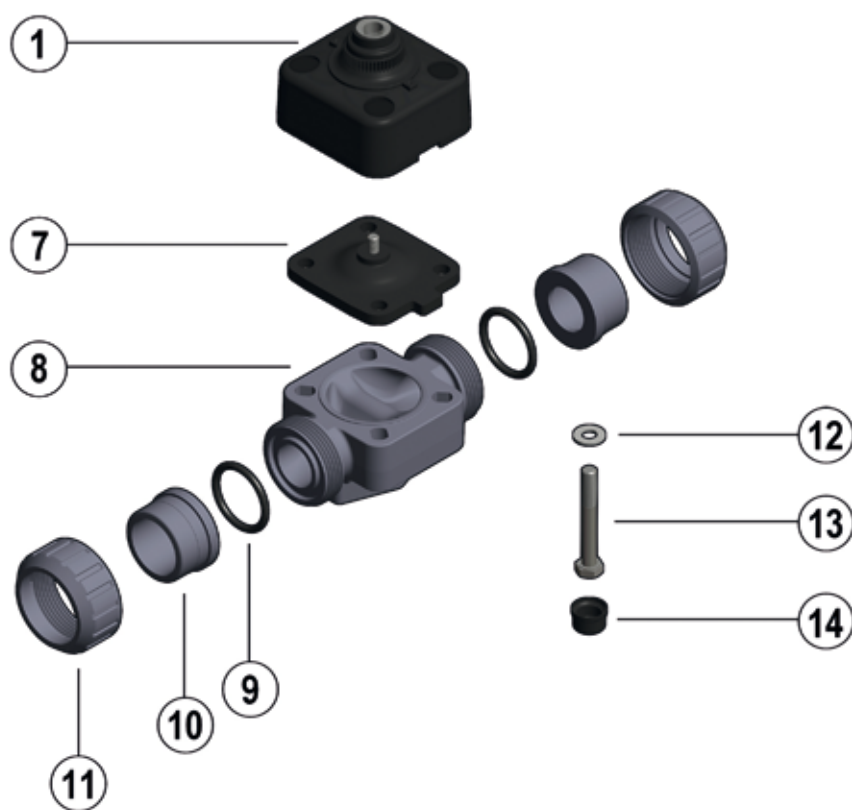
Stainless steel fasteners for diaphragm valve DKB/CP

DN	Position	Code
15	12 - 13 - 14	BSDK020025X
20	12 - 13 - 14	BSDK020025X
25	12 - 13 - 14	BSDK032040X
32	12 - 13 - 14	BSDK032040X
40	12 - 13 - 14	BSDK050X
50	12 - 13 - 14	BSDK063075X
65	12 - 13 - 14	BSDK063075X

DKD/CP DN 15÷65

SPARE PARTS FOR ACTUATED VALVES

SPARE PARTS FOR PNEUMATICALLY ACTUATED DIAPHRAGM VALVES



Diaphragm

Sealing diaphragm for diaphragm valve DKD/CP

DN	Position	EPDM code
15 ÷ 20	7	DIADKD025E
25 ÷ 32	7	DIA032E
40	7	DIA050E
50 ÷ 65	7	DIA063E

DKD/CP body O-Ring (DKDU..)

O-ring for DKD/CP unionised bodies*

DN	Position	EPDM code
15	9	OR4081E
20	9	OR4112E
25 ÷ 32	9	OR4131E
40	9	OR6187E
50	9	OR6237E

* one piece

DKD/CP DN 15÷65

SPARE PARTS FOR ACTUATED VALVES

SPARE PARTS FOR PNEUMATICALLY ACTUATED DIAPHRAGM VALVES

DKD/CP body with ISO spigot ends (DKDD..)

DKD/CP body with male ends for solvent welding, metric series

DN	Position	PVC-U code
15	8	SPBDDK020DV
20	8	SPBDDK025DV
25	8	SPBDDK032DV
32	8	SPBDDK040DV
40	8	SPBDDK050DV
50	8	SPBDDK063DV
65	8	SPBDDK075DV

DKD/CP body with unionised ends (DKDU..)

DKD/CP body with unionised ends

DN	Position	PVC-U code
15	8	UNBDDK020V
20	8	UNBDDK025V
25	8	UNBDDK032V
32	8	UNBDDK040V
40	8	UNBDDK050V
50	8	UNBDDK063V

Union nut

DKD/CP union nut for unionised bodies

DN	Position	PVC-U code
15	11	EFV100
20	11	EFV114
25	11	EFV112
32	11	EFV200
40	11	EFV214
50	11	EFV234

Bonnet

Bonnet for diaphragm valve DKD/CP

DN	Position	Code
15 ÷ 20	1	BODKD020025
25 ÷ 32	1	BODKD032040
40	1	BODKD050
50 ÷ 65	1	BODKD063075

Fasteners kit

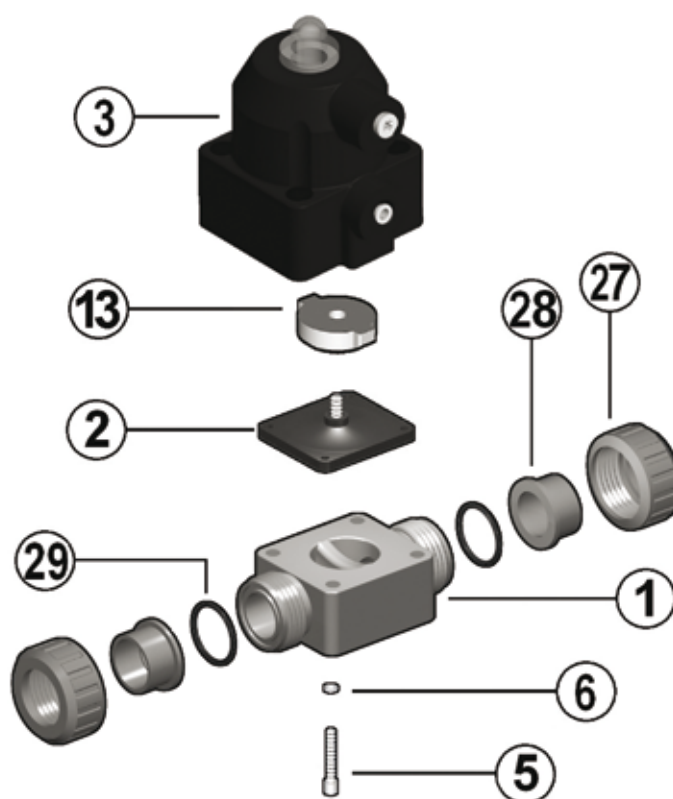
Stainless steel fasteners for diaphragm valve DKD/CP

DN	Position	Code
15 ÷ 40	12 - 13 - 14	BSVM040050X
50 ÷ 65	12 - 13 - 14	BSVM063X

CM/CP DN 12÷15

SPARE PARTS FOR ACTUATED VALVES

SPARE PARTS FOR PNEUMATICALLY ACTUATED DIAPHRAGM VALVES



Pneumatic Actuator

CM/CP Pneumatic Actuator with compressor in PPGR

DN	Position	NC code	NO code	DA code
10 ÷ 15	3 - 13	ATCMN CPP	ATCMN OPP	ATCMD APP
10 ÷ 15	3 - 13	ATCMN CPPQ*	ATCMN OPPQ*	ATCMD APPQ*

* For valves with PTFE diaphragm provided starting from January 2019

Diaphragm

Diaphragm

DN	Position	EPDM code	FKM code	PTFE code
10 ÷ 15	2	DIACM020E	DIACM020F	DIACM020G*

* For valves provided prior to January 2019 please order PTFE diaphragm: code DIACM020P

CM/CP body O-Ring (CMU..)

CM/CP O-ring for unionised bodies *

DN	Position	EPDM code	FKM code
15	29	OR4081E	OR4081F

* one piece

CM/CP body with ISO spigot ends (CMD..)

CM/CP body with ISO spigot ends for EPDM/FKM or PTFE diaphragms

d	Position	PVC-U code (EPDM/FKM)	PVC-C code (EPDM/FKM)	PP-H code (EPDM/FKM)	PVDF code (EPDM/FKM)
20	1	SPBDCM020DV	SPBDCM020DC	SPBDCM020DM	SPBDCM020DF

CM/CP DN 12÷15

SPARE PARTS FOR ACTUATED VALVES

SPARE PARTS FOR PNEUMATICALLY ACTUATED DIAPHRAGM VALVES

d	Position	PVC-U code (PTFE)	PVC-C code (PTFE)	PP-H code (PTFE)	PVDF code (PTFE)
20	1	SPBDCMQ020DV*	SPBDCMQ020DC*	SPBDCMQ020DM*	SPBDCMQ020DF*

* For valves provided prior to January 2019 please order valves bodies:
 PVCU code SPBDCMP020DV
 PVC-C code SPBDCMP020DC
 PP-H code SPBDCMP020DM
 PVDF code SPBDCMP020DF

CM/CP body with unionized ends (CMU..)

CM/CP body with unionized ends for EPDM/FKM or PTFE diaphragms

DN	Position	PVC-U code (EPDM/FKM)	PVC-C code (EPDM/FKM)	PP-H code (EPDM/FKM)	PVDF code (EPDM/FKM)
15	1	UNBDCM020V	UNBDCM020C	UNBDCM020M	UNBDCM020F

DN	Position	PVC-U code (PTFE)	PVC-C code (PTFE)	PP-H code (PTFE)	PVDF code (PTFE)
15	1	UNBDCMQ020V*	UNBDCMQ020C*	UNBDCMQ020M*	UNBDCMQ020F*

* For valves provided prior to January 2019 please order valves bodies:
 PVCU code UNBDCMP020DV
 PVC-C code UNBDCMP020DC
 PP-H code UNBDCMP020DM
 PVDF code UNBDCMP020DF

CM/CP body with ISO socket ends (CMI..)

CM/CP body with ISO female ends for EPDM/FKM or PTFE diaphragms

d	Position	PVC-U code (EPDM/FKM)	PP-H code (EPDM/FKM)	PVDF code (EPDM/FKM)
16	1	SKBDCM016IV	SKBDCM016IM	SKBDCM016IF
20	1	SKBDCM020IV	SKBDCM020IM	SKBDCM020IF

d	Position	PVC-U code (PTFE)	PP-H code (PTFE)	PVDF (PTFE) code
16	1	SKBDCMQ016IV*	SKBDCMQ016IM*	SKBDCMQ016IF*
20	1	SKBDCMQ020IV*	SKBDCMQ020IM*	SKBDCMQ020IF*

* For valves provided prior to January 2019 please order valves bodies:
 PVCU code SKBDCMP016IV and SKBDCMP020IV
 PP-H code SKBDCMP016IM and SKBDCMP020IM
 PVDF code SKBDCMP016IF and SKBDCMP020IF

CM/CP body with BSP threaded ends (CMF..)

CM/CP body with BSP female threaded ends for EPDM/FKM or PTFE diaphragms

R	Position	PVC-U code (EPDM/FKM)	PP-H code (EPDM/FKM)	PVDF code (EPDM/FKM)
3/8"	1	TRBDCM038FV	TRBDCM038FM	TRBDCM038FF
1/2"	1	TRBDCM012FV	TRBDCM012FM	TRBDCM012FF

CM/CP DN 12÷15

SPARE PARTS FOR ACTUATED VALVES

SPARE PARTS FOR PNEUMATICALLY ACTUATED DIAPHRAGM VALVES

R	Position	PVC-U code (PTFE)	PP-H code (PTFE)	PVDF code (PTFE)
3/8"	1	TRBDCMQ038FV*	TRBDCMQ038FM*	TRBDCMQ038FF*
1/2"	1	TRBDCMQ012FV*	TRBDCMQ012FM*	TRBDCMQ012FF*

* For valves provided prior to January 2019 please order valves bodies:
 PVCU code TRBDCMP038FV and TRBDCMP012FV
 PP-H code TRBDCMP038FM and TRBDCMP012FM
 PVDF code TRBDCMP038FF and TRBDCMP012FF

Union nut

CM/CP union nut for unionized bodies

DN	Pos.*	PVC-U code	PVC-C code	PP-H code	PVDF code
15	27	EFV100	EFC100	EFGM100	EFGF100

*Position

Fasteners kit

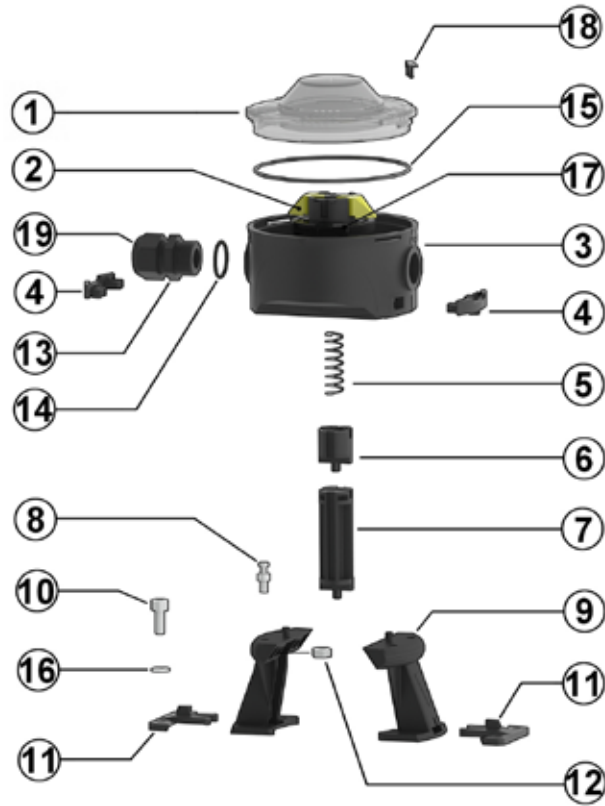
Fasteners kit composed by bolts and washers

DN	Position	Stainless Steel code
10 ÷ 15	5 - 6	BSCMX

LSQT

SPARE PARTS FOR LSQT MICRO BOX

SPARE PARTS FOR LSQT



LSQT Mounting Kit

Mounting KIT including bolts, pins, supports and one arrow

DN	Position	Code
All sizes	2-4-5-6-7-8-9-10-11-12-16	SETLSQT

Key Abbreviations

C	O-Ring code
d	Nominal external diameter in mm
DN	Nominal internal diameter in mm
EPDM	Ethylene propylene elastomer
FKM (FPM)	Fluoroelastomer
g	Weight in grams
HIPVC	PVC high impact
K	Bonnet key
Kg	Weight in kilograms
L	Length in metres
M	Bolts
MRS	Minimum guaranteed breaking strength of the material at 20° C - water - for 50 years of service
n	Number of flange holes
NBR	Acrylonitrile butadiene elastomer
PA-GR	Fibreglass reinforced polyamide
PBT	Polybutylene terephthalate
PE	Polyethylene
PN	Nominal pressure in bar (max. operating pressure at 20 °C water)
POM	Polyoxymethylene
PP-GR	Fibreglass reinforced polypropylene
PP-H	Polypropylene homopolymer
PVC-C	Chlorinated polyvinyl chloride
PVC-U	Unplasticized polyvinylchloride
PVDF	Polyvinylidene difluoride
PTFE	Polyethrafluorethylene
R	Nominal thread size in inches
S	Thickness series = $\frac{SDR-1}{2}$
s	Pipe thickness in mm
SDR	Standard dimension ratio = d / s
Sp	Flange thickness on flanged valves
U	Number of flange holes for flanged valves

Packaging Information

	pack	n./box	box type
Qty of products per Pack	1		
Qty of products per Carton Box		22	
Carton Box type			03

Please note that pack and n./box quantities could be modified during the validity of the price list



Carton box dimensions

Box Type	L (mm)	P (mm)	H (mm)	Volume (m ³)
00	800	600	400	0,1920
01	590	390	500	0,1151
02	590	390	300	0,0690
03	390	290	300	0,0339
04	390	290	200	0,0226
05	295	195	200	0,0115
08	680	600	280	0,1142
K01	200	200	130	0,0052
K02	200	200	200	0,0080
K03	300	200	200	0,0120
K04	300	260	200	0,0156
K05	400	300	200	0,0240
K06	400	300	250	0,0300
K07	200	150	100	0,0030
K08	300	100	100	0,0030
K09	300	260	300	0,0234
K10	400	200	200	0,0160
K11	400	400	130	0,0208
K12	400	400	250	0,0400
K13	400	260	420	0,0437
K14	400	300	250	0,0300
K15	400	300	300	0,0360
K16	400	400	250	0,0400
K17	400	400	300	0,0480
K18	600	400	300	0,0720
K19	600	400	500	0,1200
K20	800	600	350	0,1680
N01	160	160	350	0,0090
N02	170	170	300	0,0087
N03	190	190	300	0,0108
N04	210	210	300	0,0132
N05	220	220	220	0,0106
N06	240	240	240	0,0138
N07	280	280	170	0,0133
N08	300	300	180	0,0162
N09	350	350	130	0,0159
N10	410	410	150	0,0252
N11	470	470	90	0,0199

Conditions of Supply

- **INTRODUCTORY STATEMENT:** our supplies include the products specified in our Sales confirmation and are governed by the following Terms and Conditions which the Customer declares to understand and to accept, except for possible derogations stated in an explicitly written agreement. In particular all foreign supplies will be governed by INCOTERMS, as defined by the International Chamber of Commerce.
- **PRODUCTS:** to prevent regrettable misunderstandings, **it is advisable to refer to the nomenclature and codes of our catalogues and/or price lists** for the identification of our products. The items featuring an asterisk (*), though currently on hand, are not included in our wide range of products for which stock rebuild is scheduled. Therefore our order acceptance depends upon the actual availability of the product.
- **PACKAGING:** to speed-up delivery and to facilitate warehousing at the Customer's, we reserve the right to convert the ordered quantities into multiples of the standard packages, as shown in our price list next to each item.
- **MINIMUM PURCHASE:** for orders involving a net amount of less than € 516,46 we will charge € 31 as partial recovery of the handling costs.
- **PRICES:** prices will be those in force at the time when the order was placed, except in case of forward delivery. In the latter case, the prices in force at the time of shipment will be invoiced. Our prices include normal packing; special packing, if required by the customer will be charged at cost price.
- **DELIVERY:** delivery is intended ex our Warehouse or Stores and is normally prompt, subject to being unsold. The anticipated delivery terms for unavailable items will be indicated, but these will be in no way binding or firm. If these delivery schedules cannot be kept for any reason whatsoever, the Purchaser can cancel the order only if the delay exceeds three months from the anticipated delivery date stated in our Order Confirmation. After this time lapse, we too shall be entitled to cancel any orders for items which delayed deliveries due to serious production problems.
- **SHIPMENT:** if the mode of shipment is not specifically indicated by the Customer, shipment will be effected as deemed most suitable by us. Even if the goods are sold free to destination, their transport will be at the Customer's risk. Insurance coverage will only be effected if specifically requested by the Customer.
- **PAYMENT:** the Customer cannot, for any reason whatsoever, defer payments beyond the established dates. Furthermore, we shall be fully entitled to charge interests in arrears on any and all delayed payments. These interests will be based upon the discount rate in force at that time in Italy, plus 3 unit % .
 - Unless otherwise specified, payments shall be made by opening of an irrevocable credit at call (for Foreign Countries).
 - Unless otherwise specified, payment shall be telegraphic transfer not later than 30 days after the date of invoicing (for Italy)
- **OWNERSHIP CLAUSE:** the products supplied by us will remain our property until fully paid for.
- **GUARANTEE CLAUSE:** we guarantee the good quality of our products in compliance with the standards publicized in our catalogues. However, our guarantee is limited to the repair and/or replacement of our materials, excluding any other liability, in particular for damages caused in any way whatsoever by utilization of our products. This guarantee terminates and will be no longer valid:
 - one year after the delivery of the material in question;
 - if the material is used in other way than the operating conditions specified by us;
 - if the materials are modified by people not belonging to our Company. On this subject, it should be noted that the Purchaser will incur all liabilities provided by Law for any modification of our products.We shall be duly informed about any accidents in which our products are involved and such accidents shall be reported to us immediately and within 24 Hours of their occurrence.
- **CLAIMS:** only complaints/claims reaching us by registered letter within 30 days after invoicing date will be taken into consideration. In particular, we will not accept any materials returned to us, unless their reshipment - free at our warehouses - has been duly authorized by our appropriate executive.
- **DISPUTES:** any disputes which cannot be amicably settled or settled by a court of arbitration, shall be handled by the Court of Genoa which will have jurisdiction.
- **CUSTOMER SERVICE:** our Technical and Commercial Services are available to all our Customers to provide any information on the characteristics and application sectors of our products.

The above General Terms and Conditions may be changed without previous notice.

All information contained in this collection are given in good faith and are correct at date of publication thereof.

The drawings and photographs contained in this price list are provided for illustrative purposes.